

Ref. : VP 4241-U04.pas

Rev. : E

Date : 23/08/2017

Page : 1/1

DOUBLE EXCENTRIC TYPE BUTTERFLY VALVE WITH ELECTRIC ACTUATOR AUMA

VP 4241-U04



APPLICATION

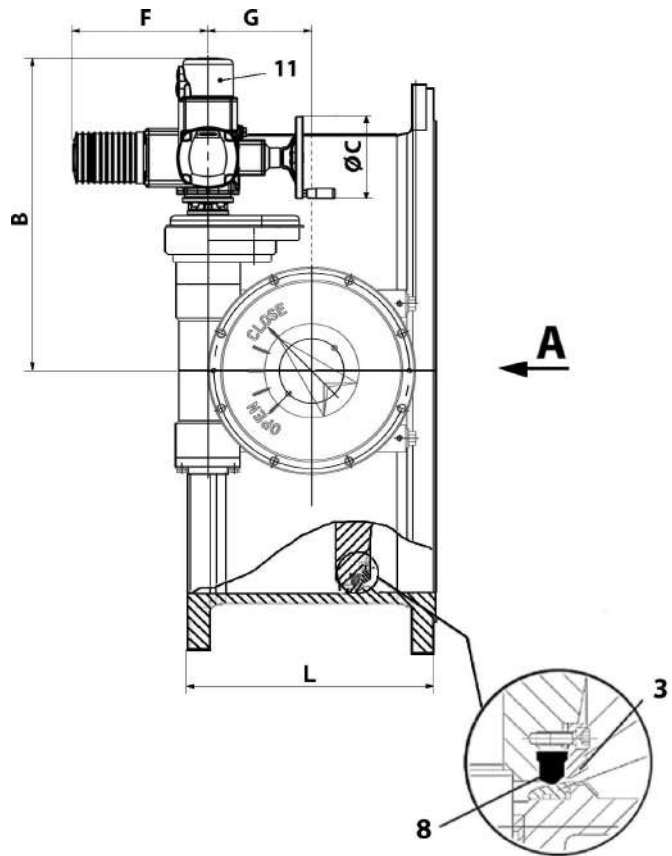
General use : potable water.

GENERAL CHARACTERISTICS

TECWAT type : long pattern.
 Design in according to EN 593.
 Range : from DN 100 to DN 2000.
 Assembling with preferential sense Bi-directional.
 Double excentric type.
 Replaceable seat, no wrenkling possibility.
 Food epoxy painting.

CONSTRUCTION

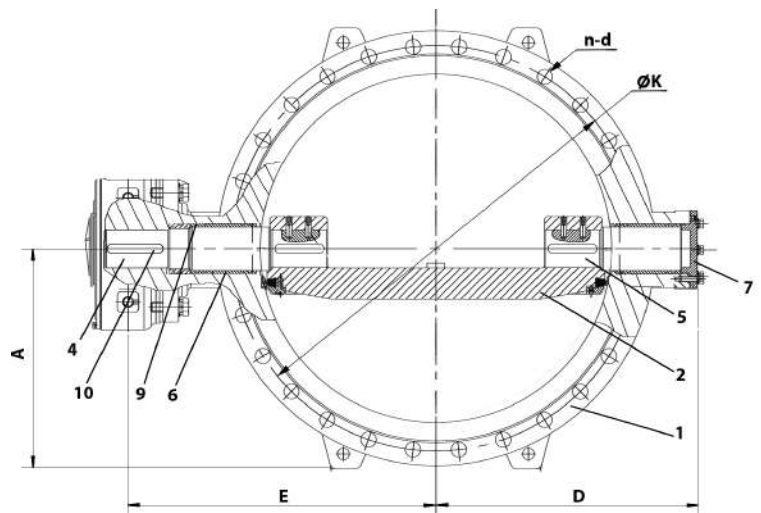
11	1	Electric actuator		AUMA
10	2	Key	Stainless steel X20Cr13	DIN: 1.4021 ASTM: AISI 420 BS: 420 S 37
9	2	O-ring	EPDM	
8	1	Sealing ring	EPDM	
7	1	Cover free end	Ductile iron EN-GJS-500-7	DIN: GGG 50 ASTM: A536 70-50-05 BS: 1563 EN-JS1050
6	2	Bearing bush	Al-Bronze	
5	1	Shaft free end	Stainless steel X20Cr13	DIN: 1.4021 ASTM: AISI 420 BS: 420 S 37
4	1	Shaft driven end	Stainless steel X20Cr13	DIN: 1.4021 ASTM: AISI 420 BS: 420 S 37
3	1	Retaining ring	Steel	
2	1	Disc	Ductile iron EN-GJS-500-7	DIN: GGG 50 ASTM: A536 70-50-05 BS: 1563 EN-JS1050
1	1	Body	Ductile iron EN-GJS-500-7	DIN: GGG 50 ASTM: A536 70-50-05 BS: 1563 EN-JS1050
Rep.	Nb.	Designation	Material	



VIEW A

DIMENSIONS

DN		L	A	B	ØC	D	ØK	E	n-d	Actuator type	Weight (kg)
mm	inch										
100	4"	190	117	388	160	133	180	284	8-Ø19	SA07.2	50
150	6"	210	147.5	388	160	164	240	315	8-Ø23	SA07.2	55
200	8"	230	175	410	160	198	295	392	12-Ø23	SA07.6	74
250	10"	250	207.5	453	200	230	355	488	12-Ø28	SA07.6	109
300	12"	270	235	453	200	254	410	511	12-Ø28	SA10.2	133
350	14"	290	265	465	200	295	470	607	16-Ø28	SA10.2	191
400	16"	310	295	465	200	334	525	637	16-Ø31	SA10.2	231
450	18"	330	325	591,5	200	368	585	688	20-Ø31	SA07.6	326
500	20"	350	362,5	588,5	200	400	650	730	20-Ø34	SA10.2	390
600	24"	390	425	588,5	200	480	770	748	20-Ø37	SA10.2	553
700	28"	430	460	619,5	200	563	840	840	24-Ø37	SA10.2	787
800	32"	470	517,5	619,5	315	623	950	898	24-Ø41	SA14.2	998
900	36"	510	567,5	663	200	698	1050	989	28-Ø41	SA10.2	1309
1000	40"	550	635,5	722,5	200	766	1170	1082	28-Ø44	SA10.2	1725
1200	48"	630	747,5	775	200	910,5	1390	1238	32-Ø50	SA10.2	2805
1400	56"	710	847,5	875	200	1063	1590	1464	36-Ø50	SA10.2	4125
1600	64"	790	970	935	315	1172	1820	1580	36-Ø52	SA10.2	5288
2000	80"	950	1177,5	1092	400	1583	2230	1955	48-Ø62	SA14.2	10057



WORKING CONDITIONS

Maximum working pressure : 16 bar.
 Maximum temperature : + 80 °C.

STANDARDS

Design according to EN 593.
 Test procedures are established according to standards EN 12266-1 and API 598.
 Face to face according to standard EN 558-1 serie 14.
 Connections according to standard EN 1092-2 ISO PN16.
 Optional certificat of health conformity (ACS) by request

TECOFI France - 83, Rue Marcel Mérioux 69960 Corbas - FRANCE
 Tél. +33 (0) 4 72 79 05 79 - Fax +33 (0) 4 78 90 19 19 / +33 (0) 4 72 79 05 70
 Adresses e-mail : sales@tecofi.fr ; tecofi@tecofi.fr / Site web : www.tecofi.fr