

Ref. : VP 4241-B04.pas

Rev. : I

Date : 27/09/2018

Page : 1/1

# DOUBLE EXCENTRIC TYPE BUTTERFLY VALVE WITH ELECTRIC ACTUATOR BERNARD

## VP 4241-B04

ISO 9001  
BUREAU VERITAS  
Certification



EAC

**Tecofi**  
VALVE DESIGNER - FRANCE



### APPLICATION

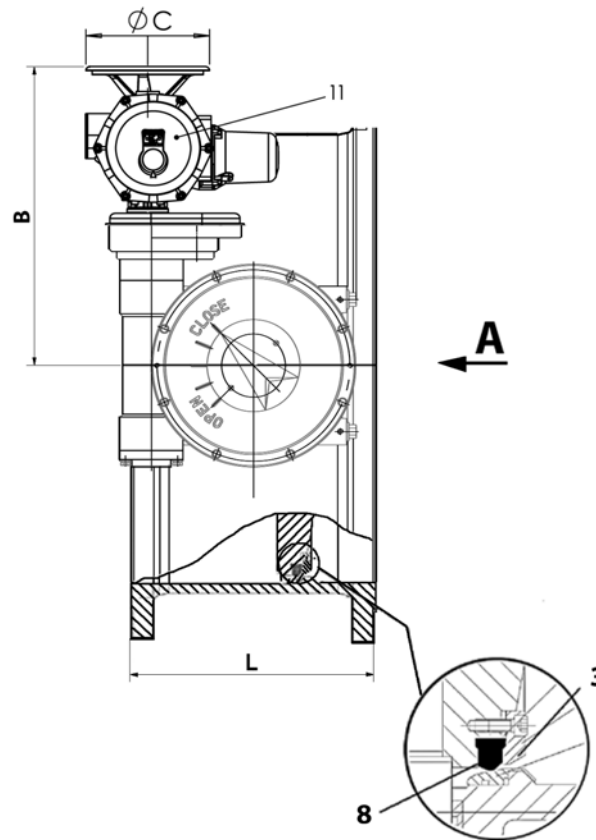
General use : potable water.

### GENERAL CHARACTERISTICS

TECWAT type : long pattern.  
Design in according to EN 593.  
Range : from DN 100 to DN 2000.  
Assembling with preferential sense  
Bi-directional.  
Double excentric type.  
Replaceable seat, no wrenkling possibility.  
Food epoxy painting RAL 5015 thickness 250 microns.

### CONSTRUCTION

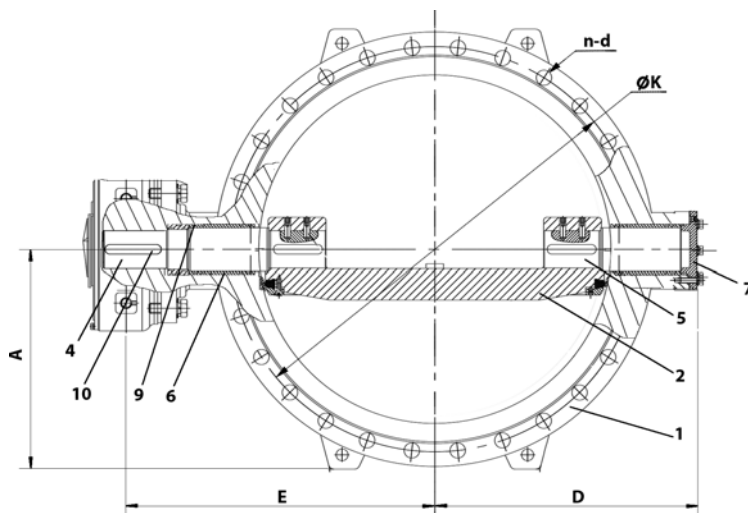
11	1	Electric actuator		BERNARD
10	2	Key	Stainless steel X20Cr13	DIN: 1.4021 ASTM: AISI 420 BS: 420 S 37
9	2	O-ring	EPDM	
8	1	Sealing ring	EPDM	
7	1	Cover free end	Ductile iron EN-GJS-500-7	DIN: GGG 50 ASTM: A536 70-50-05 BS: 1563 EN-JS1050
6	2	Bearing bush	Al-Bronze	
5	1	Shaft free end	Stainless steel X20Cr13	DIN: 1.4021 ASTM: AISI 420 BS: 420 S 37
4	1	Shaft driven end	Stainless steel X20Cr13	DIN: 1.4021 ASTM: AISI 420 BS: 420 S 37
3	1	Retaining ring	Steel	
2	1	Disc	Ductile iron EN-GJS-500-7	DIN: GGG 50 ASTM: A536 70-50-05 BS: 1563 EN-JS1050
1	1	Body	Ductile iron EN-GJS-500-7	DIN: GGG 50 ASTM: A536 70-50-05 BS: 1563 EN-JS1050
Rep.	Nb.	Designation	Material	



VIEW A

### DIMENSIONS

DN	L	A	B	ØC	D	ØK	E	n-d	Actuator type	Weight (kg)	
mm	inch										
100	4"	190	117	376	300	133	180	284	12-Ø19	ASM6	47
150	6"	210	147.5	376	300	164	240	315	12-Ø23	ASM6	52
200	8"	230	175	413	300	198	295	392	12-Ø23	ASM6	70
250	10"	250	207.5	454	400	230	355	488	12-Ø28	ASM6	102
300	12"	270	235	454	400	254	410	511	12-Ø28	ASM10	126
350	14"	290	265	466	400	295	470	607	16-Ø28	ASM10	184
400	16"	310	295	541	300	334	525	637	16-Ø31	ASM16	226
450	18"	330	325	592.5	300	368	585	688	20-Ø31	ASM6	317
500	20"	350	362.5	589.5	400	400	650	730	20-Ø34	ASM10	383
600	24"	390	425	664.5	300	480	770	748	20-Ø37	ASM16	548
700	28"	430	460	695.5	300	563	840	840	24-Ø37	ASM16	782
800	32"	470	517.5	695.5	300	623	950	898	24-Ø41	ASM16	967
900	36"	510	567.5	664	400	698	1050	989	28-Ø41	ASM10	1302
1000	40"	550	635.5	764.5	300	766	1170	1082	28-Ø44	ST14	1733
1200	48"	630	747.5	817	300	910.5	1390	1238	32-Ø50	ST14	2813
1400	56"	710	847.5	917	300	1063	1590	1464	36-Ø50	ST14	4133
1600	64"	790	970	917	300	1172	1820	1580	36-Ø52	ST14	5270
1800	72"	870	1070	1074	300	1413	2020	1902	36-Ø52	ST30	8033
2000	80"	950	1177.5	1121	450	1583	2230	1955	48-Ø62	ST30	10054



### WORKING CONDITIONS

Maximum working pressure : 16 bar.  
Maximum temperature : + 80 °C.

### STANDARDS

Design according to EN 593.  
Test procedures are established according to standards EN 12266-1 and API 598.  
Face to face according to standard EN 558-1 serie 14.  
Connections according to standard EN 1092-2 ISO PN16.  
Optional certificat of health conformity (ACS) by request.

TECOFI France - 83, Rue Marcel Mérieux 69960 Corbas - FRANCE  
Tél. +33 (0) 4 72 79 05 79 - Fax +33 (0) 4 78 90 19 19 / +33 (0) 4 72 79 05 70  
Adresses e-mail : sales@tecofi.fr ; tecofi@tecofi.fr / Site web : www.tecofi.fr