

Ref. : VP 4241-08.pas

Rev. : Q

Date : 13/08/2019

Page : 1/1

DOUBLE EXCENTRIC TYPE BUTTERFLY VALVE WITH GEAR BOX TECWAT

VP 4241-08



APPLICATION

General use : potable water.

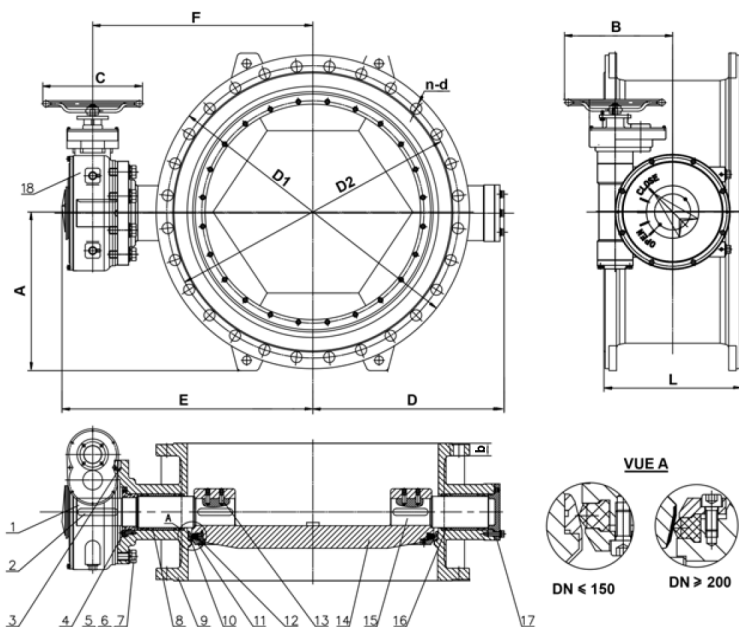
GENERAL CHARACTERISTICS

TECWAT type : long pattern.
 Design in according to EN 593.
 Range : from DN 100 to DN 2000.
 Assembling with preferential sense Bi-directional.
 Double excentric type.
 Replaceable seat, no wrenkling possibility.
 Food epoxy painting RAL 5015 250 microns thickness



CONSTRUCTION

18	Gear box		
17	End cover	Ductile iron	
16	O seal ring	EPDM	
15	Lower shaft	Stainless steel X20Cr13	DIN: 1.4021 ASTM: AISI 420 BS: 420 S 37
14	Disc	Ductile iron EN-GJS-500-7	DIN: GGG 50 ASTM: A536 70-50-05 BS: 1563 EN-JS1050
13	Pin	Stainless steel X20Cr13	DIN: 1.4021 ASTM: AISI 420 BS: 420 S 37
12	Disc seal ring	EPDM	
11	Retainer ring	Stainless steel 304	
10	Body seal ring	Stainless steel 304	
9	Body	Ductile iron EN-GJS-500-7	DIN: GGG 50 ASTM: A536 70-50-05 BS: 1563 EN-JS1050
8	Shaft bush	Al-bronze	
7	Flexible gasket	Stainless steel	3 Cr13
6	Flat gasket	Stainless steel	A2
5	Bolt	Stainless steel	A2-70
4	Packing gland	Ductile iron	
3	Locking pin	Stainless steel X20Cr13	DIN: 1.4021 ASTM: AISI 420 BS: 420 S 37
2	Key	Stainless steel X20Cr13	DIN: 1.4021 ASTM: AISI 420 BS: 420 S 37
1	Upper shaft	Stainless steel X20Cr13	DIN: 1.4021 ASTM: AISI 420 BS: 420 S 37
Rep.	Designation	Material	



DIMENSIONS

DN		L	A	B	b	ØC	D	ØD1	ØD2	E	F	n-d	Weight (kg)
mm	inch												
100	4"	190	117	133.2	19	180	133	220	180	240	134	8-Ø19	23
150	6"	210	147.5	133.2	19	180	164	285	240	271	225	8-Ø23	31
200	8"	230	175	184	20	240	198	340	295	328	273	12-Ø28	50
250	10"	250	207.5	253.4	22	320	230	405	355	397	293	12-Ø28	90
300	12"	270	235	253.4	24.5	320	254	460	410	419	351	12-Ø28	101
350	14"	290	265	320	26.5	400	295	520	470	489	376	16-Ø28	153
400	16"	310	295	320	28	400	334	580	525	519	432	16-Ø31	178
450	18"	330	325	320	30	240	368	640	585	570	462	20-Ø31	245
500	20"	350	362.5	348	31.5	400	400	715	650	619	513	20-Ø34	316
600	24"	390	425	348	36	400	480	840	770	637	580	20-Ø37	442
700	28"	430	460	385	39.5	400	563	910	840	745	598	24-Ø37	613
800	32"	470	517.5	385	43	400	623	1025	950	803	691	24-Ø41	808
900	36"	510	567.5	430	46.5	400	698	1125	1050	914	750	28-Ø41	1130
1000	40"	550	635.5	430	50	400	766	1255	1170	1007	839	28-Ø44	1404
1200	48"	630	747.5	515	57	400	910.5	1485	1390	1201.5	981	32-Ø50	2308
1400	56"	710	847.5	813	60	400	1063	1685	1590	1475.5	1138	36-Ø50	3735
1600	64"	790	970	813	65	400	1172	1930	1820	1582	1263	36-Ø57 / 4-M52	4459
1800	72"	870	1070	1025	70	600	1413	2130	2020	1841	1501	36-Ø57 / 8-M52	6207
2000	80"	950	1177.5	1025	75	600	1583	2345	2230	1940	1606	48-Ø62	8338

Gear box can accepts an electric actuator except for DN100-150

WORKING CONDITIONS

Maximum working pressure : 16 bar.
 Maximum temperature : + 80 °C.

STANDARDS

Design according to EN 593.
 Test procedures are established according to standards EN 12266-1 and API 598.
 Face to face according to standard EN 558-1 serie 14.
 Connections according to standard EN 1092-2 ISO PN16.
 Optional certificat of health conformity (ACS) by request.

TECOFI France - 83, Rue Marcel Mérieux 69960 Corbas - FRANCE
 Tél. +33 (0) 4 72 79 05 79 - Fax +33 (0) 4 78 90 19 19 / +33 (0) 4 72 79 05 70
 Adresses e-mail : sales@tecofi.fr ; tecofi@tecofi.fr / Site web : www.tecofi.fr