

# DOUBLE EXCENTRIC TYPE BUTTERFLY VALVE WITH ELECTRIC ACTUATOR AUMA

Ref. : VP 4201-U04.pas

Rev. : G

Date : 23/08/2017

Page : 1/1

## VP 4201-U04



### APPLICATION

General use : potable water.

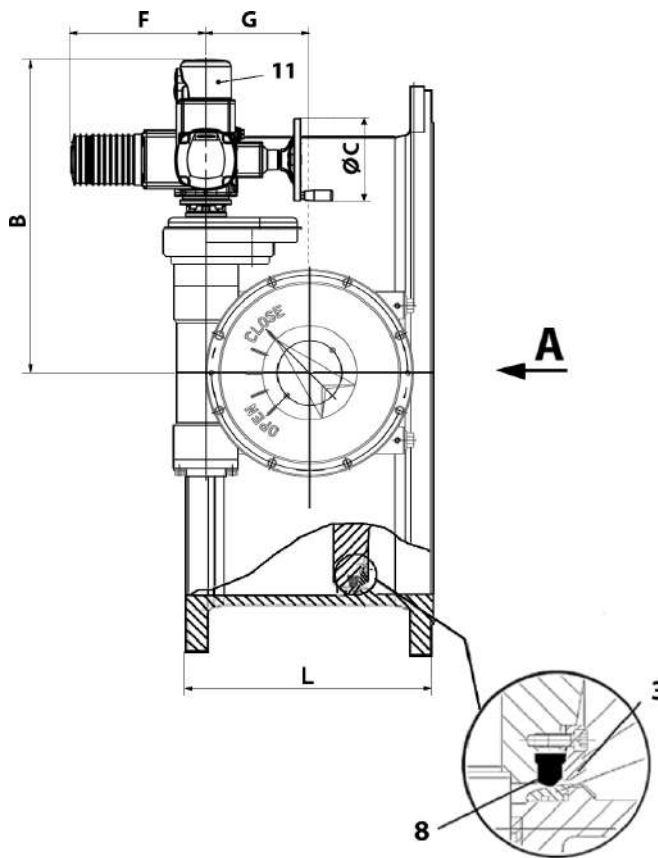
### GENERAL CHARACTERISTICS

TECWAT type : long pattern.  
Design in according to EN 593.  
Range : from DN 100 to DN 2000.  
Assembling with preferential sense Bi-directional.

Double excentric type.  
Replaceable seat, no wrenkling possibility.  
Food epoxy painting.

### CONSTRUCTION

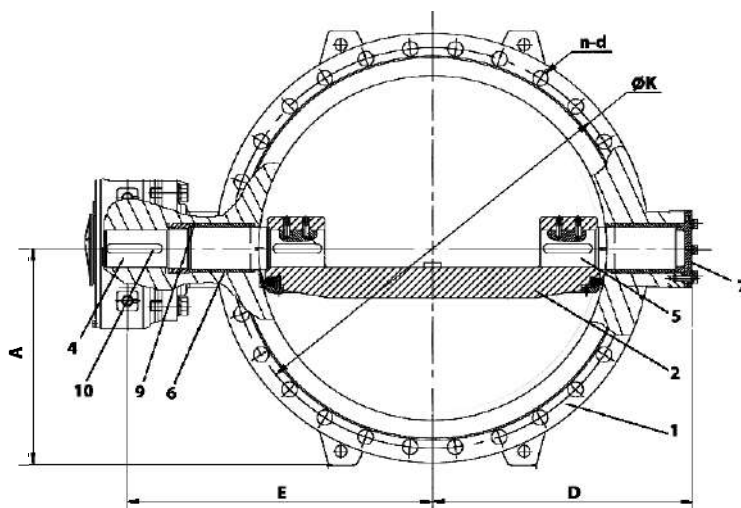
11	1	Electric actuator		AUMA
10	2	Key	Stainless steel X20Cr13	DIN: 1.4021 ASTM: AISI 420 BS: 420 S 37
9	2	O-ring	EPDM	
8	1	Sealing ring	EPDM	
7	1	Cover free end	Ductile iron EN-GJS-500-7	DIN: GGG 50 ASTM: A536 70-50-05 BS: 1563 EN-JS1050
6	2	Bearing bush	Al-Bronze	
5	1	Shaft free end	Stainless steel X20Cr13	DIN: 1.4021 ASTM: AISI 420 BS: 420 S 37
4	1	Shaft driven end	Stainless steel X20Cr13	DIN: 1.4021 ASTM: AISI 420 BS: 420 S 37
3	1	Retaining ring	Steel	
2	1	Disc	Ductile iron EN-GJS-500-7	DIN: GGG 50 ASTM: A536 70-50-05 BS: 1563 EN-JS1050
1	1	Body	Ductile iron EN-GJS-500-7	DIN: GGG 50 ASTM: A536 70-50-05 BS: 1563 EN-JS1050
Rep.	Nb.	Designation	Material	



VIEW A

### DIMENSIONS

DN	L	A	B	ØC	D	ØK	E	n-d	Actuator type	Weight (kg)
100 4"	190	117	388	160	133	180	284	8-ø19	SA07.2	50
150 6"	210	147.5	388	160	164	240	315	8-ø23	SA07.2	55
200 8"	230	175	410	160	198	295	392	8-ø23	SA07.2	71
250 10"	250	202.5	410	160	219	350	413	12-ø23	SA07.6	86
300 12"	270	227.5	453	200	254	400	511	12-ø23	SA07.6	123
350 14"	290	257.5	453	200	279	460	536	16-ø23	SA10.2	149
400 16"	310	287.5	465	200	320	515	632	16-ø28	SA10.2	207
450 18"	330	312.5	465	200	359	565	662	20-ø28	SA14.2	238
500 20"	350	340	591,5	200	393	620	713	20-ø28	SA07.6	290
600 24"	390	395	588,5	200	450	725	780	20-ø31	SA10.2	423
700 28"	430	452.5	588,5	200	530	840	798	24-ø31	SA10.2	585
800 32"	470	512.5	619,5	200	614	950	891	24-ø34	SA10.2	809
900 36"	510	562.5	679,5	315	675	1050	950	28-ø34	SA10.2	1083
1000 40"	550	620	663	200	748	1160	1039	28-ø37	SA10.2	1412
1200 48"	630	732.5	722,5	200	865	1380	1181	32-ø41	SA10.2	2047
1400 56"	710	842.5	775	200	1015	1590	1338	36-ø44	SA10.2	3059
1600 64"	790	962.5	835	315	1161	1820	1463	40-ø50	SA10.2	3812
1800 72"	870	1062.5	875	200	1324	2020	1712	44-ø50	SA10.2	5381
2000 80"	950	1167.5	935	315	1437	2230	1817	48-ø50	SA14.2	7433



### WORKING CONDITIONS

Maximum working pressure : 10 bar.  
Maximum temperature : + 80 °C.

### STANDARDS

Design according to EN 593.  
Test procedures are established according to standards EN 12266-1 and API 598.  
Face to face according to standard EN 558-1 serie 14.  
Connections according to standard EN 1092-2 ISO PN10.  
Optional certificat of health conformity (ACS) by request.

**TECOFI France** - 83, Rue Marcel Mérieux 69960 Corbas - FRANCE  
Tél. +33 (0) 4 72 79 05 79 - Fax +33 (0) 4 78 90 19 19 / +33 (0) 4 72 79 05 70  
Adresses e-mail : sales@tecofi.fr ; tecofi@tecofi.fr / Site web : www.tecofi.fr