

Ref. : VP 4201-B04.pas

Rev. G

Date: 23/08/2017

Page : 1/1

DOUBLE EXCENTRIC TYPE BUTTERFLY VALVE WITH ELECTRIC ACTUATOR BERNARD

VP 4201-B04



APPLICATION

General use : potable water.

GENERAL CHARACTERISTICS

TECWAT type : long pattern.

Design in according to EN 593.

Range : from DN 100 to DN 2000.

Assembling with preferential sense

Bi-directional.

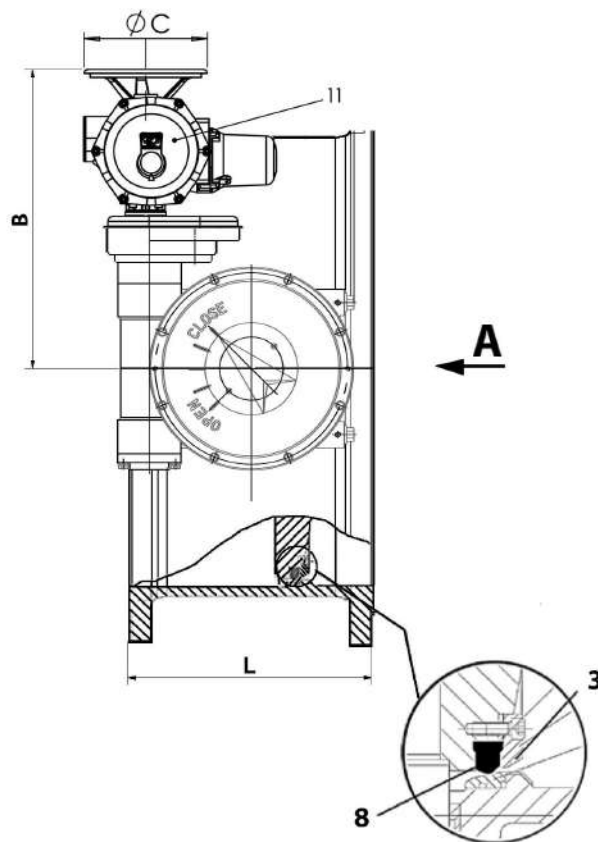
Double excentric type.

Replaceable seat, no wrenkling possibility.

Food epoxy painting.

CONSTRUCTION

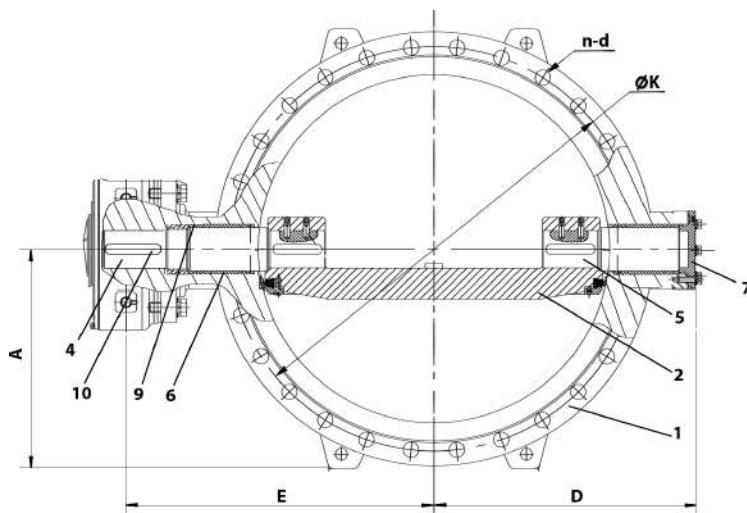
Rep.	Nb.	Designation	Material
11	1	Electric actuator	BERNARD
10	2	Key	Stainless steel X20Cr13 DIN: 1.4021 ASTM: AISI 420 BS: 420 S 37
9	2	O-ring	EPDM
8	1	Sealing ring	EPDM
7	1	Cover free end	Ductile iron EN-GJS-500-7 DIN: GGG 50 ASTM: A536 70-50-05 BS: 1563 EN-JS1050
6	2	Bearing bush	Al-Bronze
5	1	Shaft free end	Stainless steel X20Cr13 DIN: 1.4021 ASTM: AISI 420 BS: 420 S 37
4	1	Shaft driven end	Stainless steel X20Cr13 DIN: 1.4021 ASTM: AISI 420 BS: 420 S 37
3	1	Retaining ring	Steel
2	1	Disc	Ductile iron EN-GJS-500-7 DIN: GGG 50 ASTM: A536 70-50-05 BS: 1563 EN-JS1050
1	1	Body	Ductile iron EN-GJS-500-7 DIN: GGG 50 ASTM: A536 70-50-05 BS: 1563 EN-JS1050



VIEW A

DIMENSIONS

DN	L	A	B	ØC	D	ØK	E	n-d	Actuator type	Weight (kg)	
mm	inch										
100	4"	190	117	376	300	133	180	284	8-Ø19	ASM6	47
150	6"	210	147.5	376	300	164	240	315	8-Ø23	ASM6	52
200	8"	230	175	413	300	198	295	392	8-Ø23	ASM6	67
250	10"	250	202.5	413	300	219	350	413	12-Ø23	ASM6	82
300	12"	270	227.5	454	400	254	400	511	12-Ø23	ASM6	116
350	14"	290	257.5	454	400	279	460	536	16-Ø23	ASM10	142
400	16"	310	287.5	466	400	320	515	632	16-Ø28	ASM10	200
450	18"	330	312.5	466	400	359	565	662	20-Ø28	ASM10	231
500	20"	350	340	592.5	300	393	620	713	20-Ø28	ASM6	281
600	24"	390	395	589.5	400	450	725	780	20-Ø31	ASM10	416
700	28"	430	452.5	589.5	400	530	840	798	24-Ø31	ASM10	578
800	32"	470	512.5	620.5	400	614	950	891	24-Ø34	ASM10	802
900	36"	510	562.5	695.5	300	675	1050	950	28-Ø34	ASM16	1052
1000	40"	550	620	705	300	748	1160	1039	28-Ø37	ASM10	1420
1200	48"	630	732.5	764.5	300	865	1380	1181	32-Ø41	ST14	2055
1400	56"	710	842.5	817	300	1015	1590	1338	36-Ø44	ST14	3067
1600	64"	790	962.5	817	300	1161	1820	1463	40-Ø50	ST14	3794
1800	72"	870	1062.5	917	300	1324	2020	1712	44-Ø50	ST14	5389
2000	80"	950	1167.5	964	450	1437	2230	1817	48-Ø50	ST30	7436



WORKING CONDITIONS

Maximum working pressure : 10 bar.

Maximum temperature : + 80 °C.

STANDARDS

Design according to EN 593.

Test procedures are established according to standards

EN 12266-1 and API 598.

Face to face according to standard EN 558-1 serie 14.

Connections according to standard EN 1092-2 ISO PN10.

Optional certificat of health conformity (ACS) by request.

TECOFI France - 83, Rue Marcel Mérieux 69960 Corbas - FRANCE
Tél. +33 (0) 4 72 79 05 79 - Fax +33 (0) 4 78 90 19 19 / +33 (0) 4 72 79 05 70
Adresses e-mail : sales@tecofi.fr ; tecofi@tecofi.fr / Site web : www.tecofi.fr