

Ref. : VP 4201-08.pas

Rev. : T

Date : 24/01/2020

Page : 1/1

DOUBLE EXCENTRIC TYPE BUTTERFLY VALVE WITH GEAR BOX TECWAT

VP 4201-08

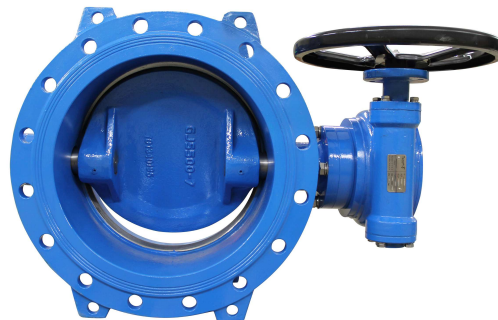


APPLICATION

General use : potable water.

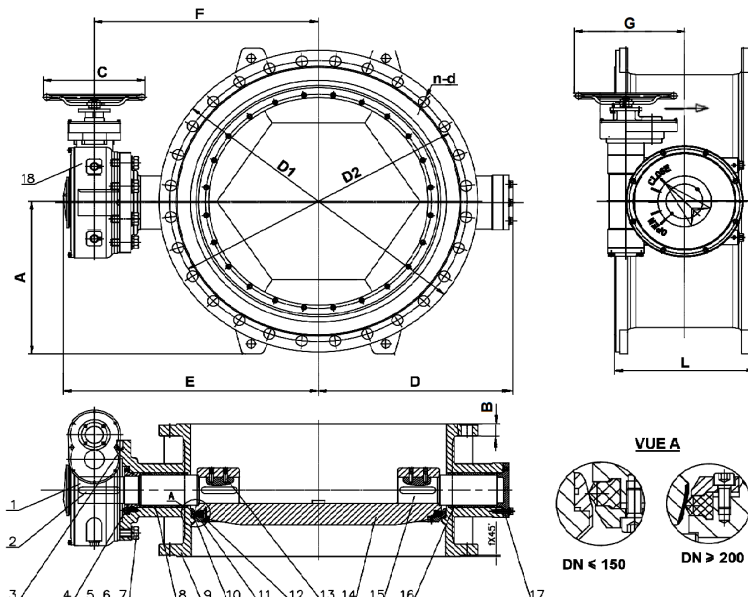
GENERAL CHARACTERISTICS

TECWAT type : long pattern.
 Design in according to EN 593.
 Range : from DN 100 to DN 2000.
 Assembling with preferential sense Bi-directional.
 Double excentric type.
 Replaceable seat, no wrenkling possibility.
 Food epoxy painting RAL 5015 250 microns thickness.



CONSTRUCTION

18	Gear box		
17	End cover	Ductile iron	
16	O seal ring	EPDM	
15	Lower shaft	Stainless steel X20Cr13	DIN: 1.4021 ASTM: AISI 420 BS: 420 S 37
14	Disc	Ductile iron EN-GJS-500-7	DIN: GGG 50 ASTM: A536 70-50-05 BS: 1563 EN-JS1050
13	Pin	Stainless steel X20Cr13	DIN: 1.4021 ASTM: AISI 420 BS: 420 S 37
12	Disc seal ring	EPDM	
11	Retainer ring	Stainless steel 304	
10	Body seal ring	Stainless steel 304	
9	Body	Ductile iron EN-GJS-500-7	DIN: GGG 50 ASTM: A536 70-50-05 BS: 1563 EN-JS1050
8	Shaft bush	Al-bronze	
7	Flexible gasket	Stainless steel 3 Cr13	
6	Flat gasket	Stainless steel A2	
5	Bolt	Stainless steel A2-70	
4	Packing gland	Ductile iron	
3	Locking pin	Stainless steel X20Cr13	DIN: 1.4021 ASTM: AISI 420 BS: 420 S 37
2	Key	Stainless steel X20Cr13	DIN: 1.4021 ASTM: AISI 420 BS: 420 S 37
1	Upper shaft	Stainless steel X20Cr13	DIN: 1.4021 ASTM: AISI 420 BS: 420 S 37
Rep.	Description	Material	



DIMENSIONS

DN		L	A	B	ØC	D	ØD1	ØD2	E	F	G	n-d	Kvs	Weight (kg)
mm	inch													
100	4"	190	117	19	180	133	220	180	240	194	133.2	8-Ø19	-	23
150	6"	210	147.5	19	180	164	285	240	271	225	133.2	8-Ø23	680	31
200	8"	230	175	20	240	198	340	295	329	272	184	8-Ø23	1880	52
250	10"	250	202.5	22	240	219	395	350	350	293	184	12-Ø23	3800	62
300	12"	270	227.5	24.5	320	254	445	400	416	351	253.4	12-Ø23	4150	94
350	14"	290	257.5	24.5	320	279	505	460	441	376	253.4	16-Ø23	8000	114
400	16"	310	287.5	24.5	400	320	565	515	514	432	320	16-Ø28	10900	162
450	18"	330	312.5	25.5	400	359	615	565	544	462	320	20-Ø28	14200	189
500	20"	350	340	26.5	240	393	670	620	595	513	320	20-Ø28	18250	238
600	24"	390	395	30	400	450	780	725	669	580	348	20-Ø31	28000	344
700	28"	430	452.5	32.5	400	530	895	840	687	598	348	24-Ø31	40500	470
800	32"	470	512.5	35	400	614	1015	950	796	691	385	24-Ø34	55100	662
900	36"	510	562.5	37.5	400	675	1115	1050	855	750	385	28-Ø34	74000	834
1000	40"	550	620	40	400	748	1230	1160	964	839	430	28-Ø37	93338	1172
1200	48"	630	732.5	45	400	865	1455	1380	1106	981	430	32-Ø41	142516	1714
1400	56"	710	842.5	46	400	1015	1675	1590	1302	1138	515	36-Ø44	167310	2570
1600	64"	790	962.5	49	400	1161	1915	1820	1427	1263	515	40-Ø50	-	3441
1800	72"	870	1062.5	52	400	1324	2115	2020	1714	1501	612	44-Ø50	-	4869
2000	80"	950	1167.5	55	400	1437	2325	2230	1819	1606	612	48-Ø50	-	6516

Gear box can accepts an electric actuator except for DN100-150

WORKING CONDITIONS

Maximum working pressure : 10 bar.
 Maximum temperature : + 80 °C.

STANDARDS

Design according to EN 593.
 Test procedures are established according to standards EN 12266-1 and API 598.
 Face to face according to standard EN 558-1 serie 14.
 Connections according to standard EN 1092-2 ISO PN10.
 Optional certificat of health conformity (ACS) by request.

TECOFI France - 83, Rue Marcel Mérieux 69960 Corbas - FRANCE
 Tél. +33 (0) 4 72 79 05 79 - Fax +33 (0) 4 78 90 19 19 / +33 (0) 4 72 79 05 70
 Adresses e-mail : sales@tecofi.fr ; tecofi@tecofi.fr / Site web : www.tecofi.fr