

Ref. : VP 3642-07.pas

Rev. : L

Date : 21/09/2015

Page : 1/1

THREADED LUGS BUTTERFLY VALVE WITH SIMPLE ACTING PNEUMATIC ACTUATOR

VP 3642-07



APPLICATION

General use : Water, sea water...
""Non suitable for steam application"

GENERAL CHARACTERISTICS

Design in accordance with NF EN 593.
TECFLY LUG: type with threaded lugs allowing screw assembling.
Tightness in both ways. Sleeve body in dovetail shape ensures a perfect assembling (for high vacuum we can stick it)
Stem: high and low semi stem giving a high flow coefficient.
Machined disc with on periphery giving a low and regular torque.
Stem unjectable, bearing:stainless steel teflon lined.
Dovetail type sleeve, mounting flange according to ISO 5211.

CONSTRUCTION

13	1	Spacer	Aluminium	
12	4	Screw	Stainless steel	
11	4	Washer	Stainless steel	
10	1	Simple acting pneumatic actuator	Anodized aluminium	
9	2	Split pin	Stainless steel	
8	1	Gasket	NBR	
7	2	O-Ring	NBR	
6	2	Guiding bearing	Teflon-lined	
5	1	Upper stem	Stainless steel 420	DIN : 1.4021 ASTM : A 276 AISI 420 BS : 420 S 37
4	1	Lower stem	Stainless steel 420	DIN : 1.4021 ASTM : A 276 AISI 420 BS : 420 S 37
3	1	Sleeve	Heat EPDM	En standard
2	1	Disc	Cu Al10 Ni5 Fe4	
1	1	Body	Cast iron EN-GJL-250	DIN : GG25 ASTM : A48 class 40B BS : 1452 Grade 250
Pos.	Qty.	Description	Material	

DIMENSIONS

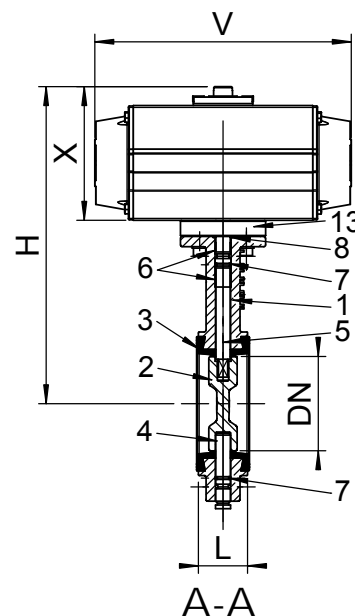
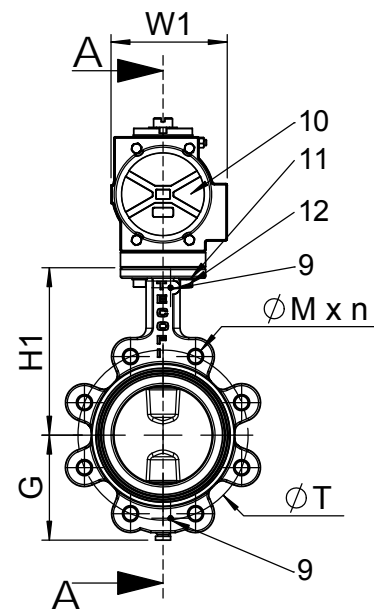
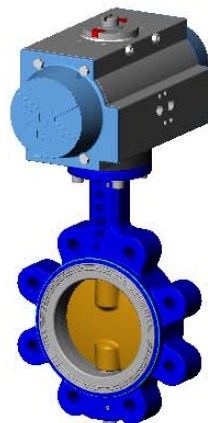
DN	REF *	H	H1	G	L	Ø T	n	Ø M	V	W1	X	TYPE	Weight (kg)
40 - 1" 1/2	SR. 63	313	133	66	33	110	4	M 16	164	80,5	113	F07	4,9
50 - 2"		325	140	71	43	125	4	M 16	164	80,5	113	F07	5,9
65 - 2" 1/2	SR. 75	362	153	78	46	145	4	M 16	210	94,5	131	F07	9,3
80 - 3"	SR. 85	393	159	89	46	160	8	M 16	240,5	106	145	F07	12,5
100 - 4"		425	178	102	52	180	8	M 16	240,5	106	145	F07	13,8
125 - 5"	SR. 100	467	190	117	56	210	8	M 16	275	123	157,8	F07	20,2
150 - 6"	SR. 115	525	203	130	56	240	8	M 20	333	137	192,4	F07	22,1
200 - 8"	SR. 125	601	238	159	60	295	8	M 20	372	148	204,4	F10	48
250 - 10"	SR. 200	766	268	190	68	350	12	M 20	578,5	217	308	F10	82,1
300 - 12"		836	306	222	78	400	12	M 20	578,5	217	308	F10	91,2

* Data sheet is according to ΔP 10 bar maxi for air pressure of 6 bar.
(For ΔP 16 bar please contact us)

WORKING CONDITIONS

Maximun working pressure : 16 bar.
Maximun temperature : -15°C / +130°C.
Peak temperature : -30°C / +150°C.

Tightness in option	Maximum temperature	Peak temperature
EPDM	+4°C / +110°C	-20°C / +130°C
CSM (Type Hypalon®)	+4°C / +80°C	-20°C / +110°C
FPM (Type Viton®)	-10°C / +170°C	-20°C / +200°C
Silicone	-20°C / +170°C	-40°C / +200°C
Nitrile (NBR)	-10°C / +80°C	-20°C / +90°C



STANDARDS

Manufacture according to the requirements of the European directive 2014/68/UE «Equipments under pressure» : modulate H. Pressure test according to standards EN 12266-1, DIN 3230, BS 6755 and ISO 5208 :
Body : 24 bar.
Seat : 17,6 bar.

Face to face according to standard NF EN 558-1 serie 20, ISO 5752 serie 20, DIN 3202.

Mounting between flanges PN10 / PN16 up to DN150 and PN10 for upper diameters: according to EN 1092-2, BS450, ANSI B16.1-5.
Adjustable between flanges PN16 and ASA 150 on request.

TECOFI France - 83, Rue Marcel Mérieux 69960 Corbas - FRANCE
Tél. +33 (0) 4 72 79 05 79 - Fax +33 (0) 4 78 90 19 19 / +33 (0) 4 72 79 05 70
Adresses e-mail : sales@tecofi.fr ; tecofi@tecofi.fr / Site web : www.tecofi.fr