

Ref. : VOC4250H-00.pas

Rev. : C

Date : 05/05/2015

Page : 1/1

# RESILIENT SEAT GATE VALVE PN25 LONG PATTERN

## VOC 4250H-00



**Tecofi**  
VALVE DESIGNER - FRANCE

### APPLICATION

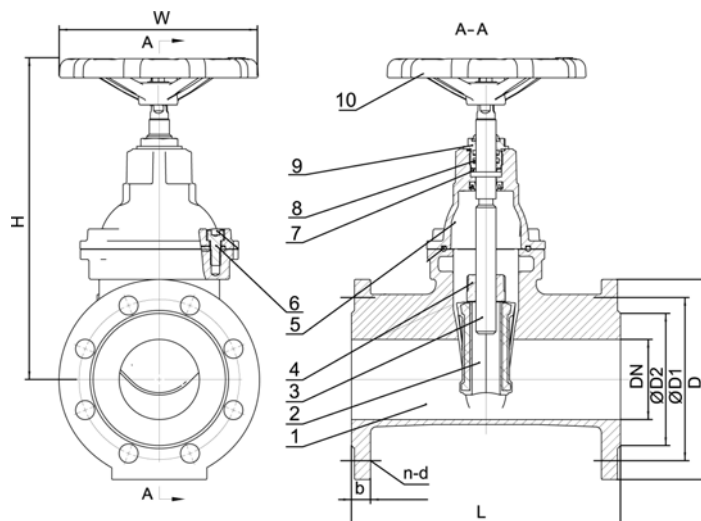
General use : Water supply, fire protection, irrigation, water treatment

### GENERAL CHARACTERISTICS

- Design in accordance to standard NF EN 1171.
- Range : from DN 40 to DN 300.
- Non rising stem.
- Clockwise to close.
- No zones of retention.
- Low head losses.

### CONSTRUCTION

10	1	Handwheel	Ductile iron
9	1	Nut	Galvanized steel
8	2	O-ring	EPDM
7	1	Washer	Brass
6	4	Bolt	Galvanized steel
5	1	Bonnet	Ductile iron GGG50
4	1	Nut	Brass
3	1	Stem	Stainless steel 420
2	1	Wedge	Ductile iron GGG50 + EPDM
1	1	Body	Ductile iron GGG50
<b>Rep.</b>	<b>Q-ty.</b>	<b>description</b>	



### DIMENSIONS

DN		L	H	Ø D	Ø D1	Ø D2	n x Ø d	b	W	Weight (kg)
mm	inch									
40	1" 1/2	240	230	150	110	84	4 x Ø19	19	160	11.00
50	2"	250	258	165	125	99	4 x Ø19	19	180	12.24
65	2" 1/2	270	263	185	145	118	8 x Ø19	19	180	15.81
80	3"	280	306	200	160	132	8 x Ø19	19	200	19.89
100	4"	300	353	235	190	156	8 x Ø23	19	200	26.01
125	5"	325	400	270	220	184	8 x Ø28	19	200	34.68
150	6"	350	440	300	250	211	8 x Ø28	20	280	45.90
200	8"	400	551	360	310	274	12 x Ø23	22	320	70.38
250	10"	450	653	425	370	330	12 x Ø31	24.5	320	108.12
300	12"	500	730	485	430	389	16 x Ø31	27.5	320	150.96

### WORKING CONDITIONS

Maximum working pressure : 25 bar.  
Maximum temperature : -10°C / +80°C.

### STANDARDS

Test procedures are established according to standard NF EN 12266-1, NF EN 12266-2, DIN 3230, ISO 5208.  
Face to face according to standard EN 558-1 serie 15 and DIN 3202 / F5 (long pattern).  
Connections according to standard EN 1092-2 ISO PN 25.