

Ref. : VOC4241CM-UX4.pas

Rev. : A

Date : 07/06/2021

Page : 1/1

RESILIENT SEAT GATE VALVE WITH ELECTRIC ACTUATOR AUMA

VOC 4241CM-UX4



APPLICATION

General use : Water supply, fire protection, irrigation, water treatment.

GENERAL CHARACTERISTICS

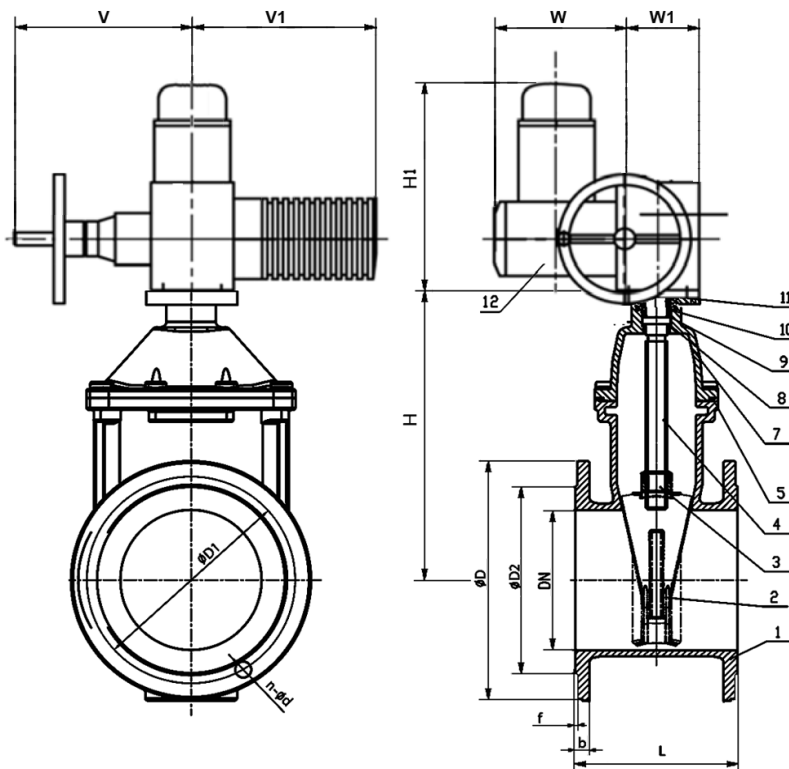
Range : from DN40 to DN400.
Non rising stem.
Clockwise to close.
No zone of retention.
Low head losses.
With electric actuator AUMA.

PRODUCT REFERENCE

VOC 4241CM-UX4	TYPE MOTEUR
VOC 4241CM-U04	AUMA 400V 3 PH
VOC 4241CM-U24	AUMA 230V 1 PH

CONSTRUCTION

12	1	Electric actuator		
11	1	Screw	Stainless steel AISI 304	
10		Seal	Brass	
9	1	O ring	EPDM	
8		Wear resistant gasket	EPDM	
7		Bonnet	Ductile iron	DIN: GGG 50 ASTM: A536 65-45-12 BS: 1563 EN-JS1050
6		Bolt	Stainless steel	AISI 304
5	1	Sealing gasket	EPDM	
4	1	Stem	Stainless steel	2Cr13 (AISI420)
3	1	Stem nut	Brass	
2	1	Wedge	EPDM coated ductile iron	DIN: GGG 50 ASTM: A536 65-45-12 BS: 1563 EN-JS1050
1	1	Body	Ductile iron	DIN: GGG 50 ASTM: A536 65-45-12 BS: 1563 EN-JS1050
Pos.	Q-ty	Description	Material	



DIMENSIONS

DN		L	H	ØD	ØD1		ØD2	f	b	n-Ød		Product reference	AUMA actuator					Weight (kg)		
mm	inch				PN10	PN16				PN10	PN16		Actuator reference		V	V1	W		W1	H1
40	1 1/2"	140	220	150	110	110	84	3	19	4 x Ø19	4 x Ø19	VOC4241CM-U24 VOC4241CM-U04	230V 1Ph 50 Hz 400V 3Ph 50 Hz	SA07.6	186	265	238	62	315	31
50	2"	150	230	165	125	125	99	3	19	4 x Ø19	4 x Ø19	VOC4241CM-U24 VOC4241CM-U04	230V 1Ph 50 Hz 400V 3Ph 50 Hz	SA07.6	186	265	238	62	315	33
65	2 1/2"	170	265	185	145	145	118	3	19	4 x Ø19	4 x Ø19	VOC4241CM-U24 VOC4241CM-U04	230V 1Ph 50 Hz 400V 3Ph 50 Hz	SA07.6	186	265	238	62	315	35
80	3"	180	290	200	160	160	132	3	19	8 x Ø19	8 x Ø19	VOC4241CM-U24 VOC4241CM-U04	230V 1Ph 50 Hz 400V 3Ph 50 Hz	SA10.2	191	283	248	65	317	39
100	4"	190	335	220	180	180	156	3	19	8 x Ø19	8 x Ø19	VOC4241CM-U24 VOC4241CM-U04	230V 1Ph 50 Hz 400V 3Ph 50 Hz	SA10.2	191	283	248	65	317	44
125	5"	200	380	250	210	210	184	3	19	8 x Ø19	8 x Ø19	VOC4241CM-U24 VOC4241CM-U04	230V 1Ph 50 Hz 400V 3Ph 50 Hz	SA10.2	191	283	248	65	317	52
150	6"	210	415	285	240	240	211	3	19	8 x Ø23	8 x Ø23	VOC4241CM-U24 VOC4241CM-U04	230V 1Ph 50 Hz 400V 3Ph 50 Hz	SA10.2	191	283	248	65	317	60
200	8"	230	510	340	295	295	266	3	20	8 x Ø23	12 x Ø23	VOC4241CM-U24 VOC4241CM-U04	230V 1Ph 50 Hz 400V 3Ph 50 Hz	SA14.2	242	389	286	91	343	108
250	10"	250	600	400	350	355	319	3	22	12 x Ø23	12 x Ø28	VOC4241CM-U24 VOC4241CM-U04	230V 1Ph 50 Hz 400V 3Ph 50 Hz	SA14.6	242	389	286	91	343	131
300	12"	270	690	455	400	410	370	4	24,5	12 x Ø23	12 x Ø28	VOC4241CM-U24 VOC4241CM-U04	230V 1Ph 50 Hz 400V 3Ph 50 Hz	SA14.6	242	389	286	91	343	164
350	14"	290	790	520	460	470	429	4	26,5	16 x Ø23	16 x Ø28	VOC4241CM-U24 VOC4241CM-U04	230V 1Ph 50 Hz 400V 3Ph 50 Hz	SA14.6	242	389	286	91	343	231
400	16"	310	855	580	515	525	480	4	28	16 x Ø28	16 x Ø31	VOC4241CM-U24 VOC4241CM-U04	230V 1Ph 50 Hz 400V 3Ph 50 Hz	SA14.6	242	389	286	91	343	274

WORKING CONDITIONS

Maximum working pressure : 16 bar.
Maximum working temperature: 110°C

STANDARDS

Face to face according to DIN 3352 / F4.
Tests according to standard EN1074-2.
Flange connection following EN 1092-2
ISO PN10/16.

TECOFI France - 83, Rue Marcel Mérieux 69960 Corbas - FRANCE
Tél. +33 (0) 4 72 79 05 79 - Fax +33 (0) 4 78 90 19 19 / +33 (0) 4 72 79 05 70
Adresses e-mail : sales@tecofi.fr ; tecofi@tecofi.fr / Site web : www.tecofi.fr