

# RESILIENT SEAT GATE VALVE DUCTILE IRON BODY

## TECHNICAL PASSPORT

VOC 4241CM-00

### RESILIENT SEAT GATE VALVE WITH BARE SHAFT AND ISO TOP FLANGE DUCTILE IRON BODY - FLANGED PN10/16

#### APPLICATION

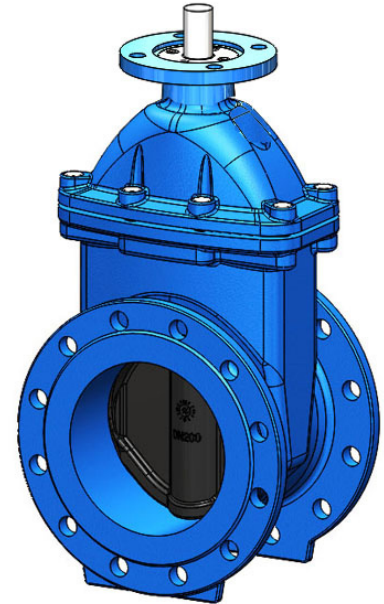
The TECOFI resilient seat gate valve is intended for use in application such as: water supply and treatment, irrigation and sanitation.



Fluids : water, waste water, non-aggressive neutral liquids, etc.

#### GENERAL CHARACTERISTICS

- Range : from DN40 to DN400.
- Resilient seat gate valve for ON/OFF or control operation, with non-rising stem.
- PN10 and PN16 flange mounting (drilling of suitable flanges from DN200).
- Body and bonnet assembled by screws protected by a molded sealing gasket.
- Wedge in ductile iron covered with a thick layer of elastomer.
- Ribs on the wedge outer face to facilitate its guiding in the body.
- Upstream-downstream tightness : at the end of closing, the wedge is pressed onto the flat bottom of the valve and thanks to its elasticity, perfectly matches its shape.
- Sealing of the upper part guarantees thanks to a system of O-rings placed next to each other and separated by small metal segments.
- Very economical use requiring no maintenance.
- Low pressure drop.
- Full bore at the end of opening.
- Without retention zone in the low part.
- Good corrosion resistance (epoxy coating inside and outside the body)
- Screws protected from external aggressions by wax plug.
- Change of stem seals possible under load.



#### STANDARDS

Design	Manufacture according to standard DIN 3352.
Face to face	Face to face dimension according DIN 3202 / F4 série courte
Connection	Mounting flange in accordance with EN1092-2 : ISO PN10 and ISO PN16
Tests	Pressure test according to standards EN1171 and EN 1074-2.
Certificats	Attestation of health conformity (ACS) n° 16 ACC LY 039. / Certification WRAS n° 1606376



#### Tecofi France

83 rue Marcel Mérieux - 69960 Corbas  
Tél. +33 (0)4 72 79 05 79 - Fax. +33 (0)4 78 90 19 19  
E-mail : sales@tecofi.fr - [www.tecofi.fr](http://www.tecofi.fr)

ISO 9001  
ISO 14001  
BUREAU VERITAS  
Certification

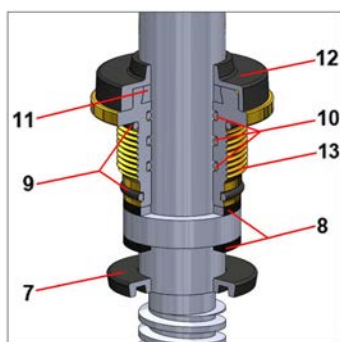


# RESILIENT SEAT GATE VALVE DUCTILE IRON BODY

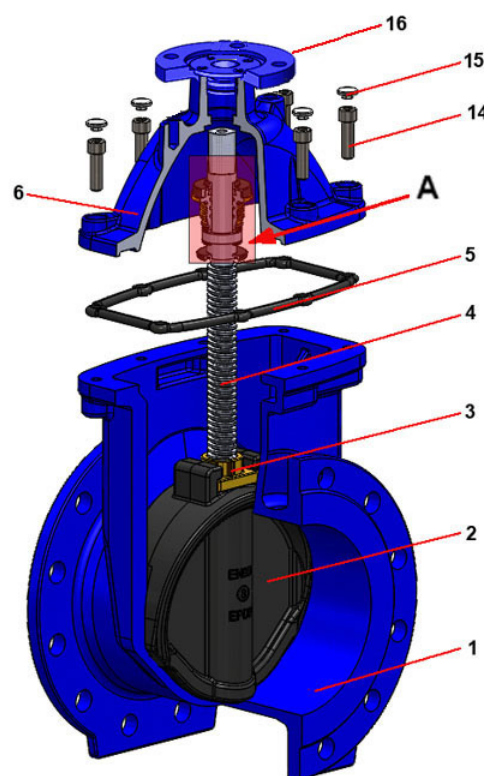
## CONSTRUCTION

The valves are coated with epoxy paint on the outside and inside of the body and the bonnet to protect against corrosion.

Component	Coating
Body (1)	Epoxy powder RAL 5015 250 microns
Bonnet	Epoxy liquid RAL 5015 250 microns



View A



Pos.	Quantity	Description	Material	Equivalences		
				DIN	ASTM	BS
1	1	Body	Ductile iron	GGG50	A536 65-45-12	1563 EN-JS1050
2	1	Wedge	EPDM coated ductile iron	GGG50	A536 65-45-12	1563 EN-JS1050
3	1	Stem nut	Brass			
4	1	Stem	Stainless steel 420	1.4021	AISI 420	420 S 37
5	1	Joint	EPDM			
6	1	Bonnet	Ductile iron	GGG50	A536 65-45-12	1563 EN-JS1050
7	1	Joint	EPDM			
8	2	Bearing	PTFE			
9	2	O ring	EPDM			
10	3	O ring	EPDM			
11	1	Stem gasket	EPDM			
12	1	Dust protection	NBR			
13	1	Nut	Brass			
14	n	Screw	Stainless steel 304			
15	n	Wax plug				
16	1	ISO plate	Ductile iron	GGG50	A536 65-45-12	1563 EN-JS1050

n = 4 (DN40-DN65); 6 (DN100); 8 (DN150-DN300) ; 12 (DN350-DN400)

### Tecofi France

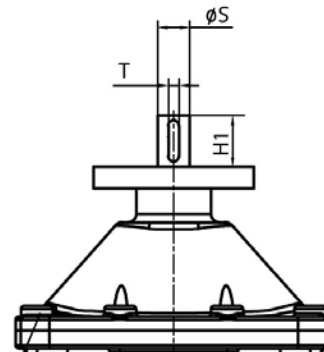
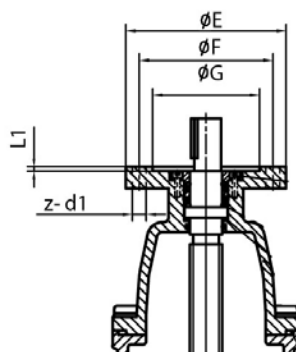
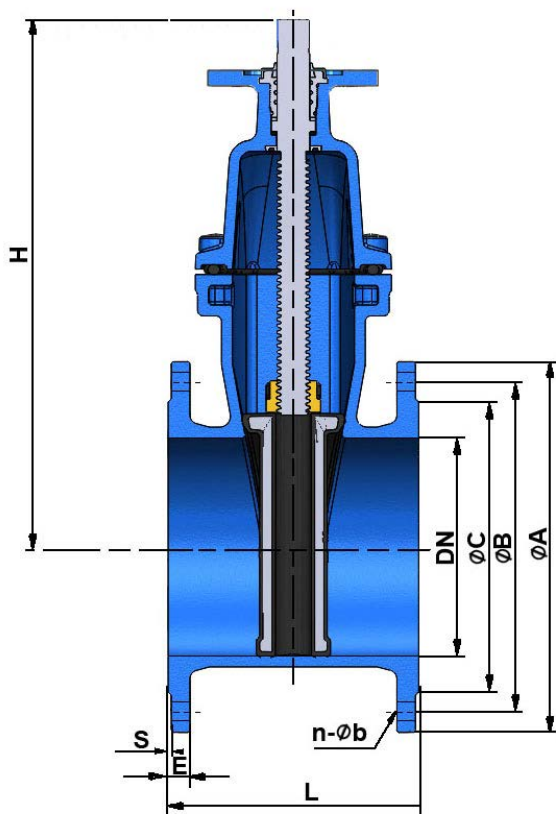
83 rue Marcel Mérieux - 69960 Corbas  
Tél. +33 (0)4 72 79 05 79 - Fax. +33 (0)4 78 90 19 19  
E-mail : sales@tecofi.fr - [www.tecofi.fr](http://www.tecofi.fr)

# RESILIENT SEAT GATE VALVE DUCTILE IRON BODY

## TECHNICAL PASSPORT

VOC 4241CM-00

### DIMENSIONS



DN		ISO	L1	ØE	ØF	ØG	z-d1	T	ØS	H1	Number of turns	Torque* (Nm)
mm	inch											
40	2"1/2	F10	4	125	102	70	4-Ø11	6	20	30	7	30
50	2"	F10	4	125	102	70	4-Ø11	6	20	30	8	40
60/65	2"1/4 / 2"1/2	F10	4	125	102	70	4-Ø11	6	20	30	10	50
80	3"	F10	4	125	102	70	4-Ø11	6	20	30	11	60
100	4"	F10	4	125	102	70	4-Ø11	6	20	30	14	80
125	5"	F10	4	125	102	70	4-Ø11	6	20	30	14	100
150	6"	F10	4	125	102	70	4-Ø11	6	20	30	17	120
200	8"	F14	5	175	140	100	4-Ø18	8	30	55	22	160
250	10"	F14	5	175	140	100	4-Ø18	8	30	55	27	200
300	12"	F14	5	175	140	100	4-Ø18	8	30	55	27	240
350	14"	F14	5	175	140	100	4-Ø18	8	30	55	31	300
400	16"	F14	5	175	140	100	4-Ø18	8	30	55	35	320

\* - Torque value without safety factor

DN		L	H	ØD	ØA		ØB		E		S	n - Øb		Weight (kg)
mm	inch				PN10	PN16	PN10	PN16	PN10	PN16		PN10	PN16	
40	2"1/2	140	220	180	150		110		16		3	4 x Ø19	10	
50	2"	150	230	180	165		125		16		3	4 x Ø19	10.75	
60/65	2"1/4 / 2"1/2	170	265	200	185		135/145		16		3	4 x Ø19	13.9	
80	3"	180	290	200	200		160		16		3	8 x Ø19	15	
100	4"	190	335	250	220		180		16		3	8 x Ø19	18	
125	5"	200	380	250	250		210		16		3	8 x Ø19	29.5	
150	6"	210	415	300	285		240		16		3	8 x Ø23	34	
200	8"	230	510	300	340		295		17		3	8 x Ø23 12 x Ø23	52.7	
250	10"	250	600	350	400	350	355		19		3	12 x Ø23 12 x Ø28	73.5	
300	12"	270	690	350	455	400	410		20.5		4	12 x Ø23 12 x Ø28	104.5	
350	14"	290	790	400	520	460	470		22.5		4	16 x Ø23 16 x Ø28	165	
400	16"	310	855	400	580	515	525		24		4	16 x Ø28 16 x Ø31	230	

**Tecofi France**

83 rue Marcel Mérioux - 69960 Corbas

Tél. +33 (0)4 72 79 05 79 - Fax. +33 (0)4 78 90 19 19

E-mail : sales@tecofi.fr - [www.tecofi.fr](http://www.tecofi.fr)

ISO 9001  
ISO 14001  
BUREAU VERITAS  
Certification

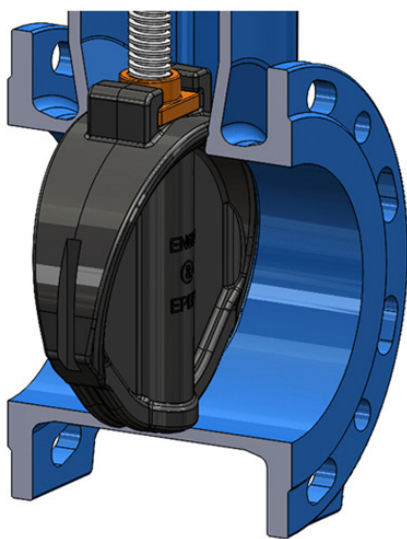


# RESILIENT SEAT GATE VALVE DUCTILE IRON BODY

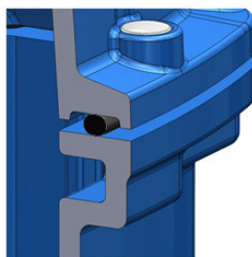
## WORKING CONDITIONS

Maximum working pressure : 16 bar

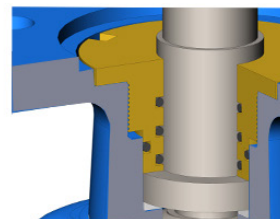
Maximum working temperature : +110°C



Upstream/downstream tightness



Body/bonnet tightness



Valve top tightness

The photographs and technical art works are not contractual. The specifications of the presented products are open to modifications without previous advice.

## Tecofi France

83 rue Marcel Mérieux - 69960 Corbas  
Tél. +33 (0)4 72 79 05 79 - Fax. +33 (0)4 78 90 19 19  
E-mail : sales@tecofi.fr - [www.tecofi.fr](http://www.tecofi.fr)

