

Ref. : VOC4241B-00.pas

Rev. : H

Date : 14/10/2014

Page : 1/1

# RESILIENT SEAT GATE VALVE

## VOC 4241B-00



**Tecofi**  
VALVE DESIGNER - FRANCE

### APPLICATION

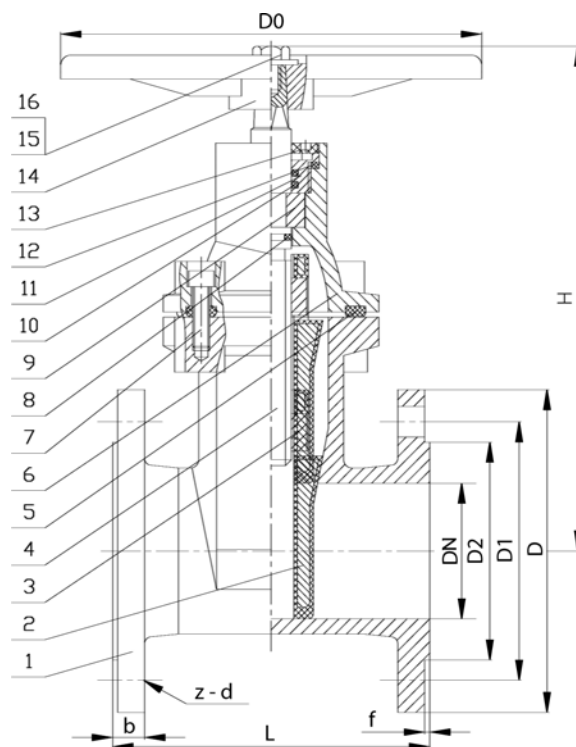
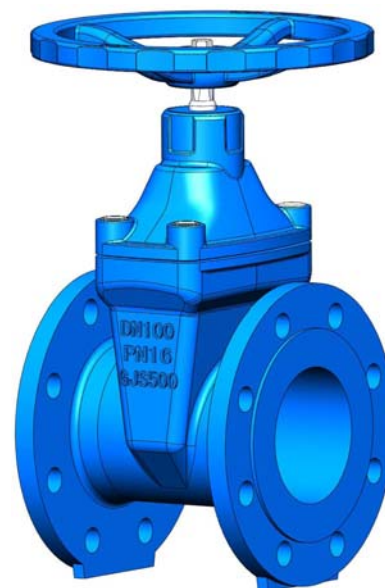
General use : Water supply, fire protection, irrigation, water treatment.

### GENERAL CHARACTERISTICS

Range : from DN50 to DN300.  
Non rising stem.  
Clockwise to close.  
No zone of retention.  
Low head losses.

### CONSTRUCTION

16	1	Bolt	Steel A3	
15	1	Washer	Steel A3	
14	1	Handwheel	Ductile iron	DIN: GGG 50 ASTM: A536 65-45-12 BS: 1563 EN-JS1050
13	1	Dust ring	EPDM	
12	1	Gasket	PTFE	
11	1	Bonnet Nut	Brass	
10	2	O ring	EPDM	
9	1	Ring	Brass	
8	1	O ring	EPDM	
7	4 - (DN50-80) 6 - (DN100-150) 8 - (DN200-250) 10 - (DN300)	Bolt	Steel A3	
6	1	Bonnet	Ductile iron	DIN: GGG 50 ASTM: A536 65-45-12 BS: 1563 EN-JS1050
5	1	Gasket	EPDM	
4	1	Stem	Stainless steel 2 Cr13	
3	1	Nut	Brass	
2	1	Wedge	EPDM coated Ductile iron	DIN: GGG 50 ASTM: A536 65-45-12 BS: 1563 EN-JS1050
1	1	Body	Ductile iron	DIN: GGG 50 ASTM: A536 65-45-12 BS: 1563 EN-JS1050
<b>Pos.</b>	<b>Q-ty</b>	<b>Description</b>	<b>Material</b>	



### DIMENSIONS

DN		L	H	ØD	ØD1		ØD2	D0	f	b	Z-Ød		□ S1	Ød1	Ød2	h1	Weight (kg)
mm	inch				PN10	PN16					PN10	PN16					
50	2"	150	205	165	125	99	180	3	19	19	4 x Ø19	12	18	16	37	9,31	
65	2 1/2"	170	230	185	145	118	200	3	19	19	4 x Ø19	12	20	16	37	11,9	
80	3"	180	255	200	160	132	200	3	19	19	8 x Ø19	12	20	16	37	13,9	
100	4"	190	285	220	180	156	220	3	19	19	8 x Ø19	12	20	16	37	16,8	
125	5"	200	330	250	210	184	250	3	19	19	8 x Ø19	17	24	22	37	24,5	
150	6"	210	370	285	240	211	250	3	19	19	8 x Ø23	17	24	22	37	31,3	
200	8"	230	455	340	295	266	280	3	20	20	8 x Ø23 12 x Ø23	17	26	22	37	53	
250	10"	250	535	400	350	355	319	3	22	22	12 x Ø23 12 x Ø28	21	28	26	37	81	
300	12"	270	620	455	400	410	370	4	24,5	24,5	12 x Ø23 12 x Ø28	21	32	26	37	116	

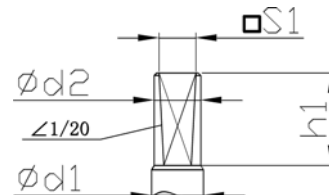
### WORKING CONDITIONS

Maximum working pressure : 16 bar.

Maximum working temperature: +80°C

### STANDARDS

Face to face according to EN558-1 serie 14 and DIN 3202 / F4 Short pattern.  
Connection according to standard EN 1092-2 ISO PN10 and ISO PN16.



**TECOFI France** - 83, Rue Marcel Mérieux 69960 Corbas - FRANCE  
Tél. +33 (0) 4 72 79 05 79 - Fax +33 (0) 4 78 90 19 19 / +33 (0) 4 72 79 05 70  
Adresses e-mail : sales@tecofi.fr ; tecofi@tecofi.fr / Site web : [www.tecofi.fr](http://www.tecofi.fr)