

RESILIENT SEAT GATE VALVE DUCTILE IRON BODY

TECHNICAL PASSPORT

RESILIENT SEAT GATE VALVE WITH PLANETARY GEARBOX - DUCTILE IRON BODY FLANGE CONNECTION PN10

VOC 4241AP-08

APPLICATION

The TECOFI resilient seat gate valve is intended for use in application such as: water supply and treatment, irrigation and sanitation.

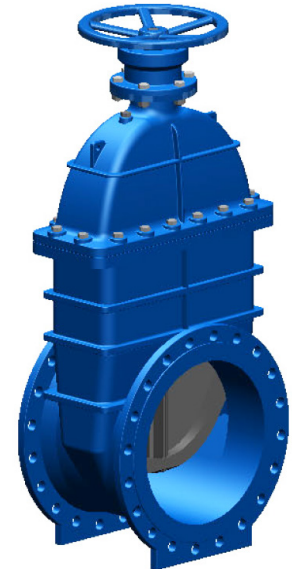


Fluids : water, waste water, non-aggressive neutral liquids, etc.

GENERAL CHARACTERISTICS

Range : from DN700 to DN1200.

- Resilient seat gate valve for ON/OFF or control operation, with non-rising stem.
- PN10 flange mounting.
- Clockwise closing
- Body and bonnet assembled by screws protected by a molded sealing gasket.
- Wedge in ductile iron covered with a thick layer of elastomer.
- Ribs on the wedge outer face to facilitate its guiding in the body.
- Upstream-downstream tightness made reliable thanks to the enormous qualities of elasticity and rigidity of the wedge.
- At the end of closing the wedge is pressed onto the flat bottom of the valve and takes perfectly its shape. This results in the absorption of impurities contained in the fluid, such as sand, gravel, etc. From the first moment of opening, impurities or waste are returned to the fluid which evacuates them.
- Tightness of the upper part guarantees thanks to a system of O-rings placed next to each other and separated by small metal segments.
- Very economical use without the need for maintenance. Low pressure drop.
- Full bore at the end of opening. No retention zone.
- Good corrosion resistance (epoxy coating inside and outside the body) fasteners protected from external aggressions by wax coat.



STANDARDS

Design	Manufacture according to standard en 1171.
Face to face	Face to face dimension according to EN 558 serie 14 and DIN 3202 / F4 short pattern
Connection	Mounting flange in accordance with EN1092-2 : ISO PN10
Tests	Pressure test according to standard EN12266-1
Certificats	Health compliance certificate (ACS) n° 21 ACC LY 015.

PRODUCTS APPROVALS



Tecofi France

83 rue Marcel Mérieux - 69960 Corbas
Tél. +33 (0)4 72 79 05 79 - Fax. +33 (0)4 78 90 19 19
E-mail : sales@tecofi.fr - www.tecofi.fr



RESILIENT SEAT GATE VALVE DUCTILE IRON BODY

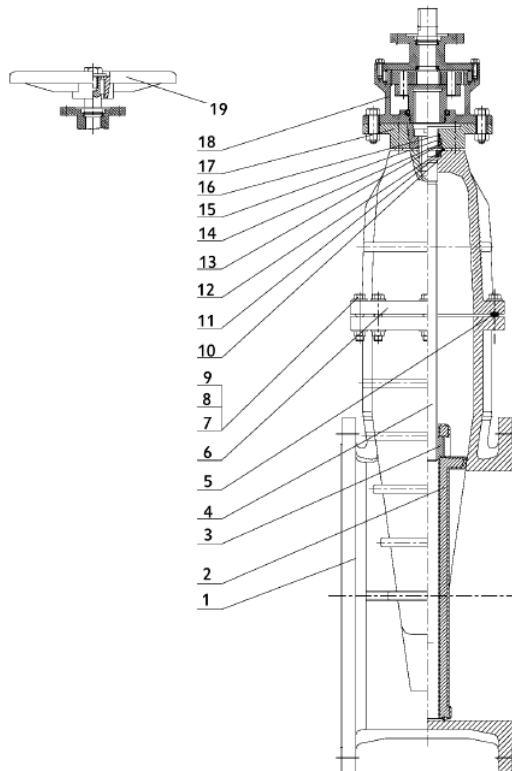
TECHNICAL PASSPORT

VOC 4241AP-08

CONSTRUCTION

The valves are coated with epoxy paint on the outside and inside of the body and the bonnet to protect against corrosion.

Component	Coating
Body (1)	Epoxy powder RAL 5015 250 microns
Bonnet (6°)	Epoxy liquid RAL 5015 250 microns
Gearbox (18) Handwheel (19)	Epoxy liquid RAL 5015 70 microns



Pos.	Description	Matière	Equivalences		
			DIN	ASTM	BS
1	Body	Ductile iron EN-GJS-500-7	GGG50	A536 65-45-12	1563 EN-JS1050
2	Wedge	Ductile iron EN-GJS-500-7 + EPDM	GGG50	A536 65-45-12	1563 EN-JS1050
3	Nut	Brass			
4	Stem	Stainless steel 2Cr13			
5	Gasket	EPDM			
6	Bonnet	Ductile iron EN-GJS-500-7	GGG50	A536 65-45-12	1563 EN-JS1050
7	Bolt	Stainless steel A3			
8	Washer	Stainless steel A3			
9	Nut	Stainless steel A3			
10	O ring	EPDM			
11	Ring	Brass			
12	Gasket	TFL			
13	O ring	EPDM			
14	O ring	EPDM			
15	Sealing ring	Brass			
16	Dust ring	EPDM			
17	Packing gland	Ductile iron EN-GJS-500-7 + EPDM	GGG50	A536 65-45-12	1563 EN-JS1050
18	Gear box				
19	Handwheel				

Tecofi France

83 rue Marcel Mérieux - 69960 Corbas
Tél. +33 (0)4 72 79 05 79 - Fax. +33 (0)4 78 90 19 19
E-mail : sales@tecofi.fr - www.tecofi.fr

ISO 9001
ISO 14001
BUREAU VERITAS
Certification

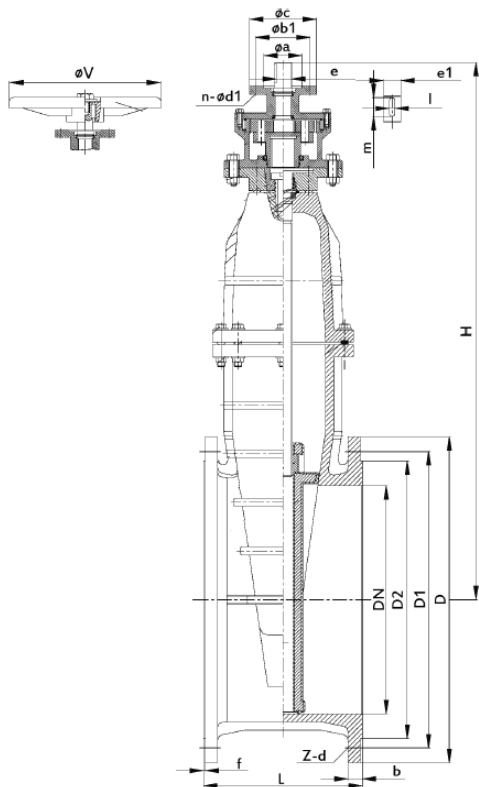


RESILIENT SEAT GATE VALVE DUCTILE IRON BODY

TECHNICAL PASSPORT

VOC 4241AP-08

DIMENSIONS



DN		ISO	øa	øb1	øc	e	e1	l	m	n-ød1	øV	Number of turns	Torque (Nm)
mm	inch												
700	28"	F14	100	140	175	27.5	32	10	35	4- Ø18	400	306	162
800	32"	F14	100	140	175	27.5	32	10	35	4- Ø18	400	306	189
900	36"	F14	100	140	175	27.5	32	10	35	4- Ø18	400	343.8	207
1000	40"	F14	100	140	175	27.5	32	10	35	4- Ø18	400	381	234
1200	48"	F16	130	165	210	35.5	40	10	35	4- Ø22	500	608	235

DN		ØD	ØD1	ØD2	H	L	b	f	Z - ød	Weight* (kg)
mm	inch									
700	28"	928	840	794	1570	430	39.5	5	24 x Ø31	975
800	32"	1034	950	901	1740	470	43	5	24 x Ø34	1275
900	36"	1125	1050	1001	1845	510	47	5	28 x Ø34	1875
1000	40"	1255	1160	1112	2070	550	50	5	28 x Ø37	3395
1200	48"	1485	1380	1328	2460	630	57	5	32 x Ø40	4600

* - Valve weight with handwheel

⚠ The valve must be mounted on horizontal piping in vertical position, with operating stem pointing upwards.
Contact us for mounting on vertical or steeply inclined piping

WORKING CONDITIONS

Maximum working pressure : 10 bar

Maximum working temperature : 0°C / + 80°C

Tecofi France

83 rue Marcel Mérieux - 69960 Corbas
Tél. +33 (0)4 72 79 05 79 - Fax. +33 (0)4 78 90 19 19
E-mail : sales@tecofi.fr - www.tecofi.fr

