

Ref. : VOC4241AM-B04.pas

Rev. : Initial

Date : 26/09/2013

Page : 1/1

RESILIENT SEAT GATE VALVE WITH ELECTRIC ACTUATOR

VOC 4241AM-B04



Tecofi

VALVE DESIGNER - FRANCE

APPLICATION

General use : Water supply, fire protection, irrigation, water treatment.

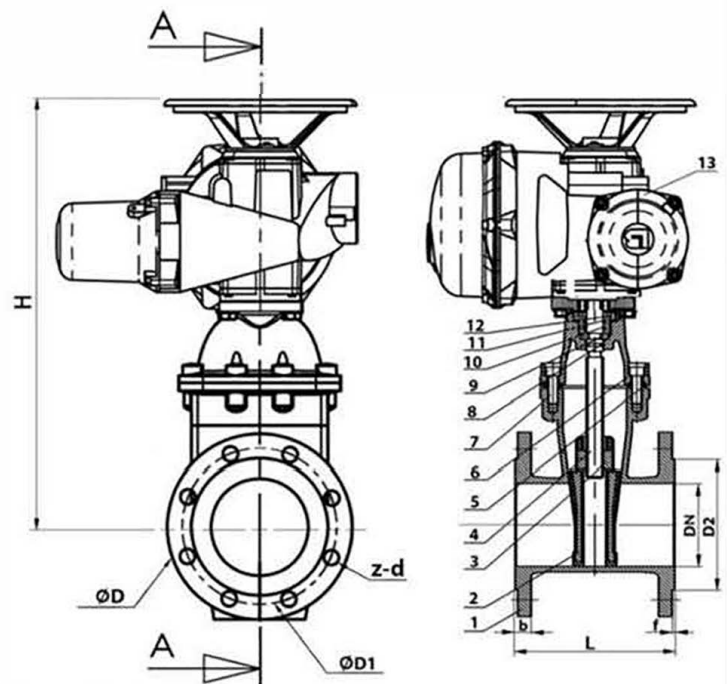
GENERAL CHARACTERISTICS

Range : from DN50 to DN400.
Non rising stem.
Clockwise to close.
No zone of retention.
Low head losses.
With electric actuator BERNARD.



CONSTRUCTION

13	Actuator	BERNARD	
12	Minipad	PTFE	
11	Bonnet nut	Brass	
10	O-Ring	EPDM	
9	Locating ring	Brass	
8	O-Ring	EPDM	
7	Bolt	Steel	A3
6	Bonnet	Ductile iron	DIN: GGG 50 ASTM: A536 65-45-12 BS: 1563 EN-JS1050
5	Gasket	EPDM	
4	Stem	Stainless steel	
3	Stem nut	Brass	
2	Wedge	EPDM coated ductile iron	DIN: GGG 50 ASTM: A536 65-45-12 BS: 1563 EN-JS1050
1	Body	Ductile iron	DIN: GGG 50 ASTM: A536 65-45-12 BS: 1563 EN-JS1050
Rep.	Description	Material	



DIMENSIONS

DN		ØD	ØD1	ØD2	L	H	b	f	Z - Ød	Actuator dimensions				
mm	inch									Ref.	V	V1	W	W1
50	2"	165	125	99	150	227	19	3	4 - Ø19	ST6	472	151	409	122
65	2 1/2"	185	145	118	170	240	19	3	4 - Ø19	ST6	472	151	409	122
80	3"	200	160	132	180	265	19	3	8 - Ø19	ST14	469	151	403	138
100	4"	220	180	156	190	298	19	3	8 - Ø19	ST14	469	151	403	138
125	5"	250	210	184	200	350	19	3	8 - Ø19	ST14	469	151	403	138
150	6"	285	240	211	210	391	19	3	8 - Ø23	ST14	469	151	403	138
200	8"	340	295	266	230	496	20	3	12 - Ø23	ST30	578	145	535	225
250	10"	400	355	319	250	569	22	3	12 - Ø28	ST30	578	145	535	225
300	12"	455	410	370	270	663	25	4	12 - Ø28	ST30	578	145	535	225
350	14"	520	470	429	290	775	27	4	16 - Ø28	ST30	578	145	535	225
400	16"	580	525	480	310	851	28	4	16 - Ø31	ST14-ASM13	578	145	535	225

WORKING CONDITIONS

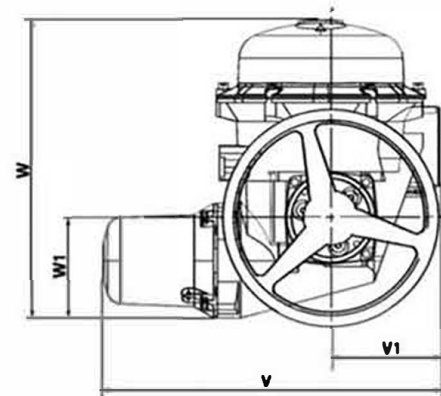
Maximum working pressure : 16 bar.

Maximum working temperature: +80°C

STANDARDS

Face to face according to EN558-1 serie 14 and DIN 3202 / F4 Short pattern.

Connection according to standard EN 1092-2 ISO PN10/16.



TECOFI France - 83, Rue Marcel Mérieux 69960 Corbas - FRANCE
Tél. +33 (0) 4 72 79 05 79 - Fax +33 (0) 4 78 90 19 19 / +33 (0) 4 72 79 05 70
Adresses e-mail : sales@tecofi.fr ; tecofi@tecofi.fr / Site web : www.tecofi.fr

The photographs and technical art works are not contractual. The specifications of the presented products are open to modifications without previous advice.