

Ref. : VOC424116-00NI

Rev. : Initial

Date : 29/03/2017

Page : 1/1

RESILIENT SEAT GATE VALVE

VOC 424116-00NI



APPLICATION

General use : for water distribution.

GENERAL CHARACTERISTICS

Full and total bore
Stainless steel non rising stem
Clockwise to close
Ductile iron wedge NBR coated
No retention area
Heel positioning
NBR bonnet gasket
Screws bonnet protected
3 NBR O ring on stem
Possibility to change stem gasket under pressure.
Epoxy painting RAL 5005 color 250 µm thickness
Dust-coat on stem
ISO PN16.



CONSTRUCTION

| | | |
|-------------|--------------------|---------------------------------|
| 17 | Square | Ductile iron EN GJS-500-7 |
| 16 | Auto sealing ring | NBR |
| 15 | Ring | Nylon 66 |
| 14 | Stem O ring | NBR |
| 13 | Stem O ring | NBR |
| 12 | Dust-coat | NBR |
| 11 | Handwheel | Ductile iron EN GJS-500-7 |
| 10 | Nut | Brass CuZn39Pb2 |
| 9 | Stem O ring | NBR |
| 8 | Holding ring | Brass CuZn39Pb2 |
| 7 | Bonnet | Ductile iron EN GJS-500-7 |
| 6 | Stem | Stainless steel 420 |
| 5 | Bonnet screw | Steel C35 |
| 4 | Bonnet gasket | NBR |
| 3 | Stem nut | Brass CuZn39Pb2 |
| 2 | Wedge | Ductile iron EN GJS-500-7 + NBR |
| 1 | Body | Ductile iron EN GJS-500-7 |
| Pos. | Description | Material |

DIMENSIONS

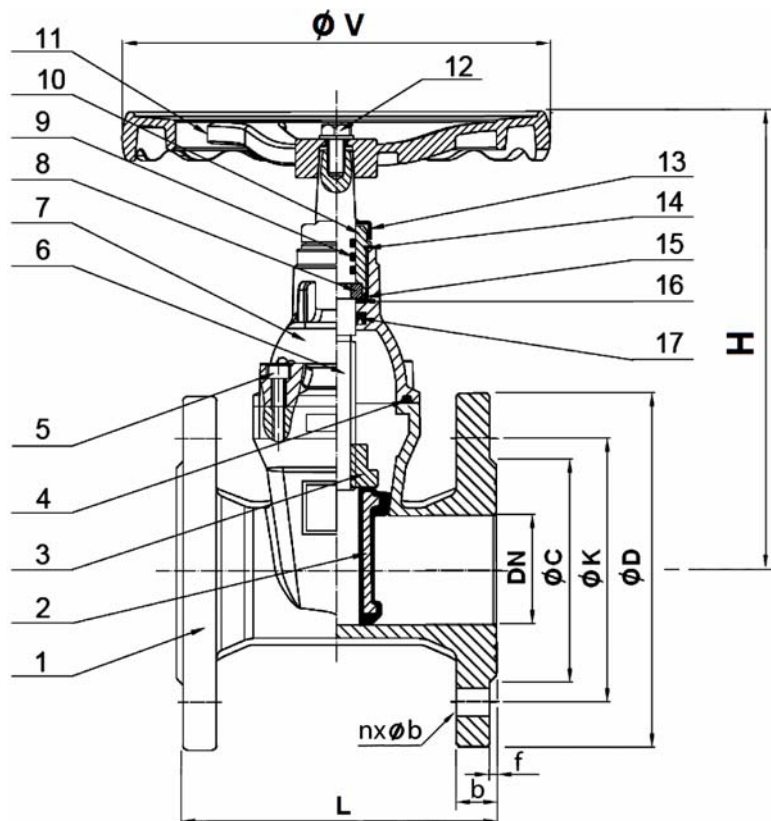
| DN | | L | H | ØV | ØC | ØD | ØK | nxØd | f | b | Weight (kg) |
|-----|------|-----|-----|-----|-----|-----|-----|-------|---|------|-------------|
| mm | inch | | | | | | | | | | |
| 200 | 8" | 230 | 485 | 315 | 266 | 340 | 295 | 12x23 | 3 | 20 | 49,40 |
| 250 | 10" | 250 | 600 | 406 | 319 | 405 | 355 | 12x28 | 3 | 22 | 84,70 |
| 300 | 12" | 270 | 680 | 406 | 370 | 460 | 410 | 12x28 | 4 | 24,5 | 106,00 |

WORKING CONDITIONS

Maximum working pressure : 16 bar.
Maximum working temperature: -10°C / +70°C

STANDARDS

Fabrication according to ISO 9001 :2008
Designing according to DIN 3352.4
Tests according to EN 12266-1, Range A
DIRECTIVE 97/23/CE : Concerned by article 3, § 3
Face to face according to EN 558 series 14 (DIN 3202 F4)
Flanges according to EN 1092-2 PN16.



The photographs and technical art works are not contractual. The specifications of the presented products are open to modifications without previous advice.