

KNIFE GATE VALVE DUCTILE IRON BODY

TECHNICAL PASSPORT

**VANNE A GUILLOTINE SOUS SILO
A VERIN PNEUMATIQUE
DOUBLE EFFET
DUCTILE FONTE - ENTRE BRIDES PN10**

VGS 4400-03

APPLICATION

The TECOFI slide gate valve under silo is particularly suitable for assembly under silo.

Areas of use: chemical plants, industry, cement, sugar, pneumatic transport, storage.

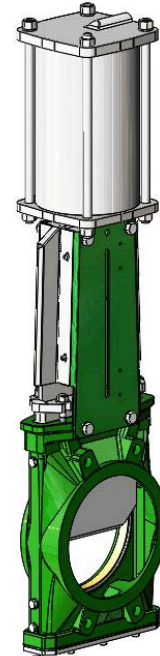


Fluides: usage exclusif pour granulés, produits pulvérulents et cristallisants.

GENERAL CHARACTERISTICS

Range: from DN100 to DN400.

- Knife gate valve under silo with double acting pneumatic actuator.
- One-piece molded body.
- Unidirectional sealing: direction of installation is indicated by an arrow on the body.
- Installation between flanges ISO PN10.
- Face to face more important than a conventional knife gate valve.
- Internal parts designed to ensure easy passage for products containing particules.
- The gate is guided in the body BY fingers which considerably reduce friction and product accumulating in the body.
- Straight gate attack with chamfered end facilitates the penetration into the product and the closing of the valve.
- Standard polished gate, soft contact with the gaskets
- Very resistant ductile iron packing flange avoids risks of breaks.
- Operating force reduced thanks to the elasticity of the gaskets.
- Preformed profiled sheet support plates from DN50 to DN300 for accessory or kit mounting.
- Full bore when the valve fully opened, ensuring a high flow rate with low head loss.
- Blowing holes in the body to eject low pressure compressed air (<1 bar) against clogging and product accumulation.



STANDARDS

Design	Manufacture according to the requirements of the European directive n° 2014/68/UE «Equipment under pressure» : modulate H. In option: product conform to European directive ATEX «ATmosphère EXplosive» n° 2014/34/UE.					
Face to face	Face to face dimension according to TECOFI standard					
Connection	Mounting between flanges in accordance with EN1092-2 and ISO7005-1 : ISO PN10					
Tests	Pressure test according to standards EN12266-1, DIN 3230, BS 5154 and ISO 5208.					
	DN	Body	Seat	DN	Body	Seat
	DN100-150 :	3.75 bar	2.75 bar	DN250-300 :	2.25 bar	1.65 bar
DN200 :	3 bar	2.2 bar	DN400 :	1.95 bar	1.43 bar	

PRODUCT APPROVALS



Tecofi France

83 rue Marcel Mérieux - 69960 Corbas
Tél. +33 (0)4 72 79 05 79 - Fax. +33 (0)4 78 90 19 19
E-mail : sales@tecofi.fr - www.tecofi.fr



KNIFE GATE VALVE DDUCTILE IRON BODY

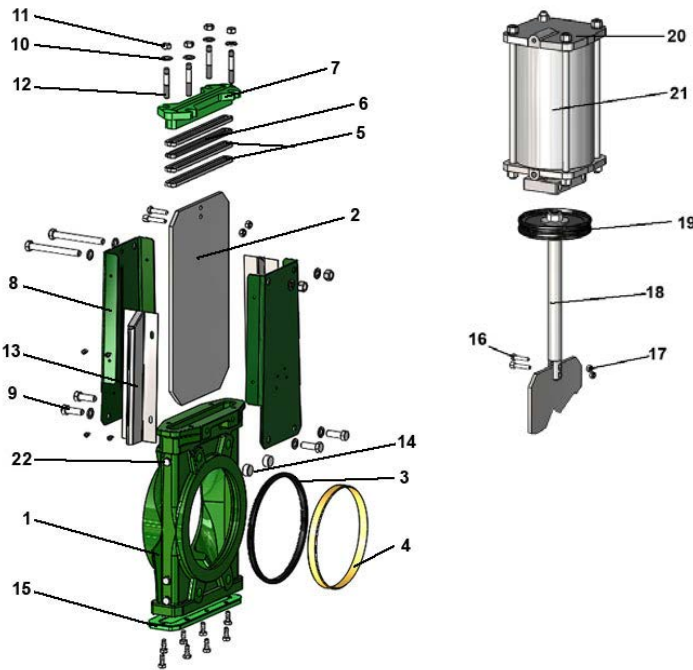
TECHNICAL PASSPORT

VGS 4400-03

CONSTRUCTION

The valves are coated with epoxy paint to protect them against corrosion

Component	Coating
Body (1)	Epoxy powder RAL 6005 150 microns
Support plate (8)	Epoxy liquid RAL 6005 70 microns
Packing gland (7)	Epoxy liquid RAL 6005 70 microns



Pos.	Q-ty	Description	Material	Equivalences		
				DIN	ASTM	BS
1	1	Body	Ductile iron EN-GJS-500-7	GGG 50	A536 65-70-50-05	1563 EN-JS1050
2	1	Gate	Stainless steel X5CrNi 18-10	X5CrNi 18 10	A 182 AISI 304	1449-2 304 S15
3	1	Gasket	NBR			NBR
4	1	Frette	Stainless steel X5CrNi 18-10	X5CrNi 18 10	A 182 AISI 304	1449-2 304 S15
5	2	Packing	PTFE			
6	1	O ring	NBR			NBR
7	1	Packing gland	Fonte ductile EN-GJS-400-15	GGG 40	A536 65-45-12	1563 EN-JS1030
8	2	Support plate	Steel			
9	4*	Screw	Stainless steel A2-70			
10	4*	Washer	Stainless steel A2-70			
11	4*	Nut	Stainless steel A2-70			
12	4*	Tie rod	Stainless steel A2-70			
13	2	Protection cap	Stainless steel X5CrNi 18-10	X5CrNi 18 10	A 182 AISI 304	1449-2 304 S15
14	1	Support guide	PTFE			
15	1	Cover	Fonte EN-GJL-250	GG 25	A48 class 40B	1452 Grade 250
16	2	Screw	Stainless steel A2-70			
17	1	Nut	Stainless steel A2-70			
18	4	Stem	Stainless steel 13% Cr	X12Cr13	AISI 410	
19	1	Piston				
20	1	Protection plate	Stainless steel X5CrNi 18-10	X5CrNi 18 10	A 182 AISI 304	1449-2 304 S15
21	1	Pneumatic actuator	Aluminium			
22	4	Plug of blowing orifice	Stainless steel A2-70			

* - 8 for DN400;

Tecofi France

83 rue Marcel Mérieux - 69960 Corbas
Tél. +33 (0)4 72 79 05 79 - Fax. +33 (0)4 78 90 19 19
E-mail : sales@tecofi.fr - www.tecofi.fr

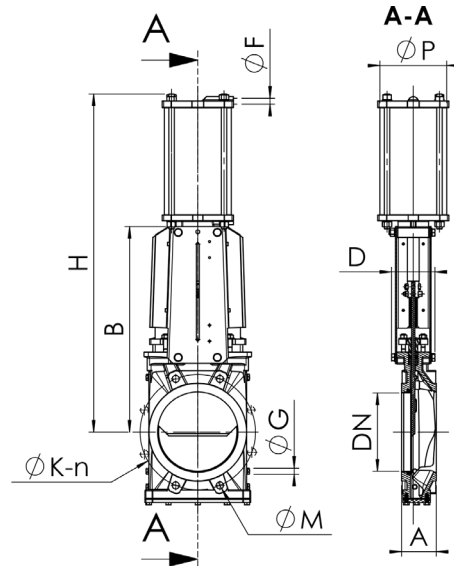


KNIFE GATE VALVE DDUCTILE IRON BODY

TECHNICAL PASSPORT

VGS 4400-03

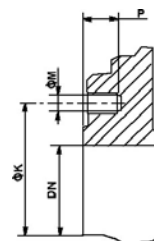
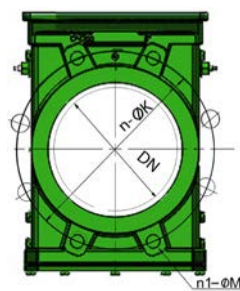
DIMENSIONS



DN		A	B	C	D	Ø F	Ø P	H	Weight (kg)
mm	inch								
100	4"	64	335	174	82	1/4"	100	562	14
125	5"	70	373	189	93	1/4"	125	642	18
150	6"	76	420	220	93	1/4"	125	692	23
200	8"	89	526	275	108	1/4"	160	859	31.3
250	10"	114	627	340	108	1/4"	200	1017	65
300	12"	114	715	380	108	1/4"	200	1156	81
400	16"	140	945	502	290	3/8"	250	1491	177

Dimension A - face to face according to standard TECOFI

MOUNTING



Body details

DN		n	n ₁ -ØM	P	ØK
mm	inch				
100	4"	8	4XM16	10	180
125	5"	8	4XM16	10	210
150	6"	8	4XM20	10	240
200	8"	8	4XM20	12	295
250	10"	12	8XM20	12	350
300	12"	12	8XM20	19	400
400	16"	16	10XM24	24	515

n - total number of holes

n₁ - number of threaded holes



Tecofi France

83 rue Marcel Mérieux - 69960 Corbas

Tél. +33 (0)4 72 79 05 79 - Fax. +33 (0)4 78 90 19 19

E-mail : sales@tecofi.fr - www.tecofi.fr

KNIFE GATE VALVE DDUCTILE IRON BODY

TECHNICAL PASSPORT

VGS 4400-03

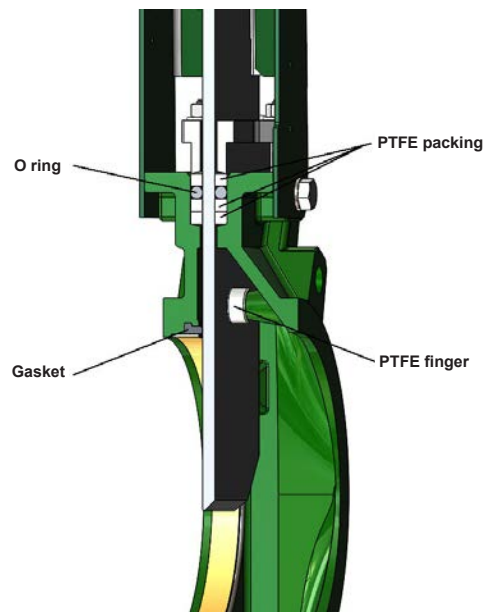
WORKING CONDITIONS

Maximum working pressure: DN100-150 : 2.5 bar
DN200 : 2 bar
DN250-300 : 1.5 bar
DN400 : 1.3 bar

Maximum working temperature : -10°C / +80°C (standard tightness)

 *The above mentioned pressures are only valid if the direction of assembly indicated by the arrow on the valves is observed.*

Tightness



Tecofi France

83 rue Marcel Mérieux - 69960 Corbas
Tél. +33 (0)4 72 79 05 79 - Fax. +33 (0)4 78 90 19 19
E-mail : sales@tecofi.fr - www.tecofi.fr

