

Ref. : VGS 3400-03.pas

Rev. : G

Date : 07/05/2014

Page : 1/1

KNIFE GATE VALVE UNDER SILO WITH DOUBLE ACTING PNEUMATIC ACTUATOR

VGS 3400-03



APPLICATION

Only use with : Grain, chemical industry (powdery or crystallizing).

GENERAL CHARACTERISTICS

Valve specially developed for working under silo.
Wafer threaded mounting ISO PN10.
Unidirectional tightness, direction indication thanks to the arrow on the body.
The bottom of the body is extended and goes on by an evacuation door, to facilitate the cleaning of occasional jamming without dismantling the valve.
The gate is guided by fingers, which reduce frictions and allow the product to go down without accumulating in the clearances of the body.
This avoids the jamming of the gate.
The attack of the gate is straight with a chamfered extremity for a better penetration in the product.
The blowing orifices in the body are foreseen in the standard to inject compressed air of weak pressure ($\leq 1\text{bar}$) preventing the stuffing and the accumulations of product.
Gland assembly: packing and O-ring (same material as seat joint) to assure the elasticity and decrease the operating torque.
Possibility to regulate with the adaptation of a diaphragm ring .

CONSTRUCTION

13	6	Plug of blowing orifice	Stainless steel 304	DIN : X5CrNi 18-10 ASTM : AISI 304 BS : 304 S15
12	1	Evacuation door	EN-GJL-250	DIN : GG 25 ASTM : A48 class 40B BS : 1452 Grade 250
11	2	Protection plate	Stainless steel 304	DIN : X5CrNi 18-10 ASTM : AISI 304 BS : 304 S15
10	1	O-ring	Nitril	
9	1	Support ring	Stainless steel 316	DIN : X5CrNiMo18 10 ASTM : A 182 AIS 316 BS : 316 S16
8	1	Gasket	Nitril	
7	1	Packing gland	Ductile iron	
6	1	Pneumatic actuator	Aluminium	
5*	2	Support plate	Steel + epoxy	
4	1	Stem	Inox 13%Cr	
3	1	Knife gate	X5CrNi 18-10	DIN : X5CrNi 18-10 ASTM : AISI 304 BS : 304 S15
2	2	Packing	Tallowed cotton	
1	1	Body	EN-GJL-250	DIN : GG 25 ASTM : A48 class 40B BS : 1452 Grade 250
Rep. Nb.	Description	Material		

* Pre-shaped parts up to DN 300.

DIMENSIONS

DN		A	B	C	D	ϕF	ϕP	H	ϕK	n	ϕM	ϕG	Weight (kg)
mm	inch												
100	4"	64	335	174	82	1/4"	100	562	180	8	4-M16	1/4"	14
125	5"	70	373	189	93	1/4"	125	642	210	8	4-M16	1/4"	18
150	6"	76	420	220	93	1/4"	125	692	240	8	4-M20	1/4"	23,0
200	8"	89	526	275	108	1/4"	160	858,5	295	8	4-M20	1/4"	31,3
250	10"	114	627	340	108	1/4"	200	1017	350	12	8-M20	1/4"	65,0
300	12"	114	715	380	108	1/4"	200	1156	400	12	8-M20	1/2"	81,0
400	16"	140	945	502	290	3/8"	250	1491	515	16	10-M24	1/4"	177,0

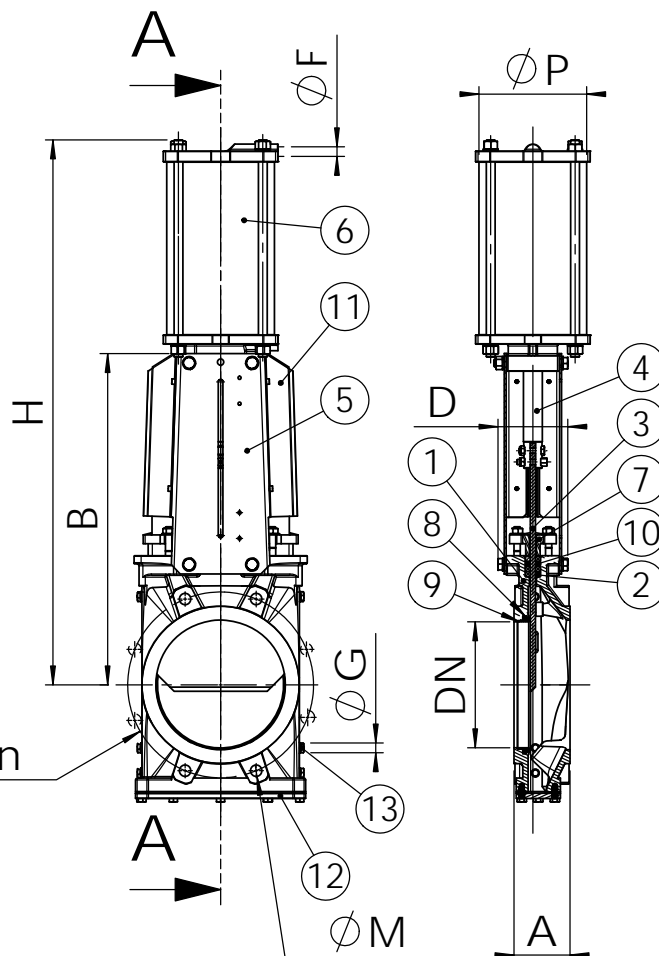
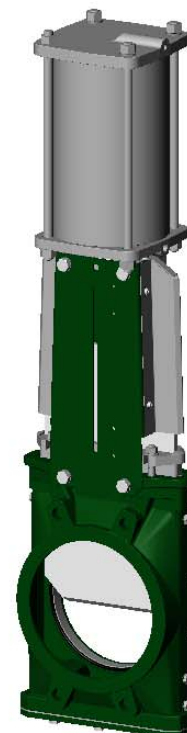
WORKING CONDITIONS

Maximum working pressure : DN 150 : 2.5 bar
 DN 200 : 2 bar
 DN 250-300 : 1.5 bar
 DN 400 : 1.3 bar

Maximum temperature : -10°C / +80°C

STANDARDS

Manufacture according to the requirements of the European directive 97/23/CE «Equipments under pressure» : modulate H. (DN50 - 600)
 Connections according to standard EN 1092-2 and DIN 2501 : ISO PN10.



TECOFI France - 83, Rue Marcel Mérieux 69960 Corbas - FRANCE
 Tél. +33 (0) 4 72 79 05 79 - Fax +33 (0) 4 78 90 19 19 / +33 (0) 4 72 79 05 70
 Adresses e-mail : sales@tecofi.fr ; tecofi@tecofi.fr / Site web : www.tecofi.fr