

Ref. : VGM6205-00

Rev. : A

Date : 21/11/2018

Page : 1/1

WALL PENSTOCK

VGM 6205-00



APPLICATION

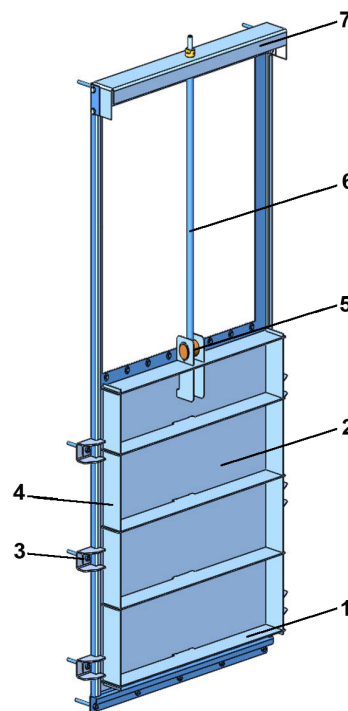
General use : waste water treatment plants, drain manifolds, hydroelectric power plants, storm tanks, desalination installations, irrigation installations.

GENERAL CHARACTERISTICS

Range : Dimensions from 200x200 to 1000x1000 mm.
 Bidirectionnal tightness.
 Fixed guide assures tightness under high fluid pressure.
 Non rising stem.

CONSTRUCTION

| 7 | Yoke | Stainless steel AISI 304 |
|------|---------------|--------------------------|
| 6 | Stem | Stainless steel AISI 304 |
| 5 | Stem nut | RG 7 |
| 4 | Side frame | Stainless steel AISI 304 |
| 3 | Frame bracket | Stainless steel AISI 304 |
| 2 | Gate | Stainless steel AISI 304 |
| 1 | Frame | Stainless steel AISI 304 |
| Pos. | Description | Material |



DIMENSIONS

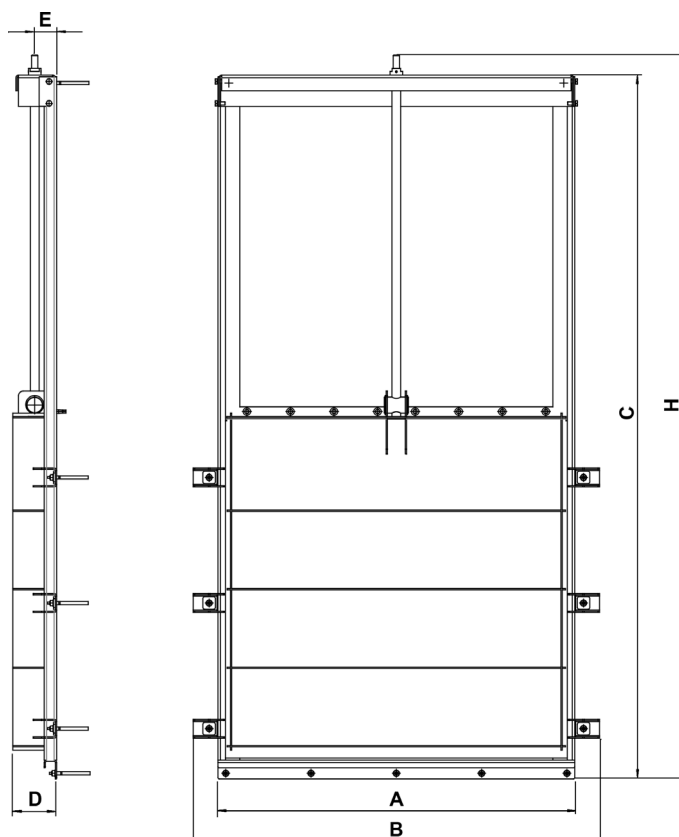
| Dimension | A | B | C | H | D | E | Weight (kg) |
|-----------|------|------|------|-----|----|------|-------------|
| 200x200 | 340 | 498 | 645 | 100 | 49 | 705 | 24,4 |
| 300x300 | 440 | 598 | 845 | 100 | 49 | 905 | 32,1 |
| 400x400 | 540 | 698 | 1045 | 100 | 49 | 1105 | 43,3 |
| 500x500 | 640 | 798 | 1245 | 100 | 49 | 1305 | 52,6 |
| 600x600 | 740 | 898 | 1445 | 100 | 76 | 1505 | 64,7 |
| 700x700 | 840 | 998 | 1645 | 100 | 76 | 1705 | 76,9 |
| 800x800 | 940 | 1098 | 1845 | 100 | 76 | 1905 | 88,4 |
| 900x900 | 1040 | 1198 | 2045 | 100 | 76 | 2105 | 103,8 |
| 1000x1000 | 1140 | 1298 | 2245 | 100 | 76 | 2305 | 116,9 |

WORKING CONDITIONS

Maximum working pressure : 6 mWC in both ways.
 Leakage rate according to DIN 19569-4 table 1, class 4.

STANDARDS

Certificate of Sanitary Conformity (ACS) in option on request.



The photographs and technical art works are not contractual. The specifications of the presented products are open to modifications without previous advice.