

# BOLTED BONNET KNIFE GATE VALVE STAINLESS STEEL BODY

TECHNICAL PASSPORT

## BOLTED BONNET KNIFE GATE VALVE WITH HANDWHEEL STAINLESS STEEL BODY - WAFER TYPE PN25

VGP6450-00EP

### APPLICATION

The TECOFI bolted bonnet knife gate valve is used in applications with high pressure for the transfer of loaded products in various industrial sectors.



**Fluids** : water containing stones, waste water, sludge, abrasive fluids, etc.

### GENERAL CHARACTERISTICS

**Range**: from DN50 to DN300.

ON-OFF valve with rising stem. One-piece molded body.

-Unidirectional sealing.

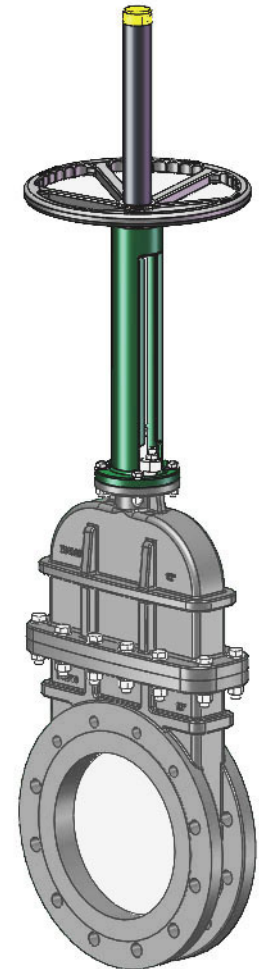
-Mounting between ISO PN25 flanges.

-Full bore and low pressure losses.

-Guiding of the gate in the body with little clearance.

-Polished gate faces as standard, machined gate extremity.

-Excellent penetration of the gate into the product ensuring operation without risk of blockage during closing.



### STANDARDS

<b>Design</b>	Manufacture according to the requirements of the European directive n° 2014/68/UE «Equipment under pressure» : modulate H.
<b>Face to face</b>	Face to face dimension according to TECOFI standard
<b>Connection</b>	Mounting between flanges in accordance with EN1092-1 and DIN 2501 : ISO PN25
<b>Tests</b>	Pressure test according to standards EN12266-1, DIN 3230 and ISO 5208.

**Tecofi France**

83 rue Marcel Mérieux - 69960 Corbas  
Tél. +33 (0)4 72 79 05 79 - Fax. +33 (0)4 78 90 19 19  
E-mail : sales@tecofi.fr - [www.tecofi.fr](http://www.tecofi.fr)



# BOLTED BONNET KNIFE GATE VALVE STAINLESS STEEL BODY

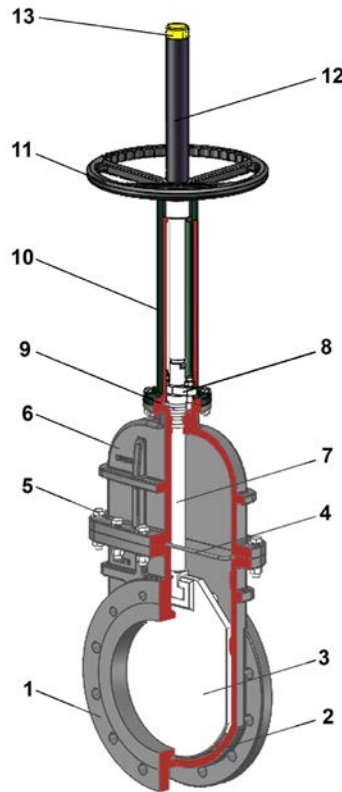
TECHNICAL PASSPORT

VGP6450-00EP

## CONSTRUCTION

The valves are coated with epoxy paint to protect them against corrosion

Component	Coating
Yoke (10)	Epoxy powder RAL 6005 150 microns
Handwheel (11)	Epoxy liquid RAL 9005 70 microns
Protection tube (12)	



Pos.	Q-ty	Description	Material	Équivalences		
				DIN	ASTM	BS
1	1	Body	Stainless steel CF8M			
2	1	Seat	EPDM			
3	1	Gate	Stainless steel X5CrNi 18-10	X5CrNi 18 10	A 182 AISI 304	1449-2304 S15
4	1	Gasket	EPDM			
5		Bolt and nut	Stainless steel A2-70			
6	1	Bonnet	Stainless steel CF8M			
7	1	Stem	Stainless steel 316			
8	1	Packing	PTFE			
9	1	Packing gland	Stainless steel X5CrNi 18-10	X5CrNi 18 10	A 182 AISI 304	1449-2304 S15
10	1	Yoke	Steel	17245 GS-C25	A216 Grade WCB	1504 161 Grade B
11	1	Handwheel	Cast iron EN-GJL-250	GG25	A48 class 40B	1452 Grade 250
12	1	Protection tube	Steel	17245 GS-C25	A216 Grade WCB	1504 161 Grade B
13	1	Plug	Plastic			

**Tecofi France**

83 rue Marcel Mérieux - 69960 Corbas  
Tél. +33 (0)4 72 79 05 79 - Fax. +33 (0)4 78 90 19 19  
E-mail : sales@tecofi.fr - [www.tecofi.fr](http://www.tecofi.fr)

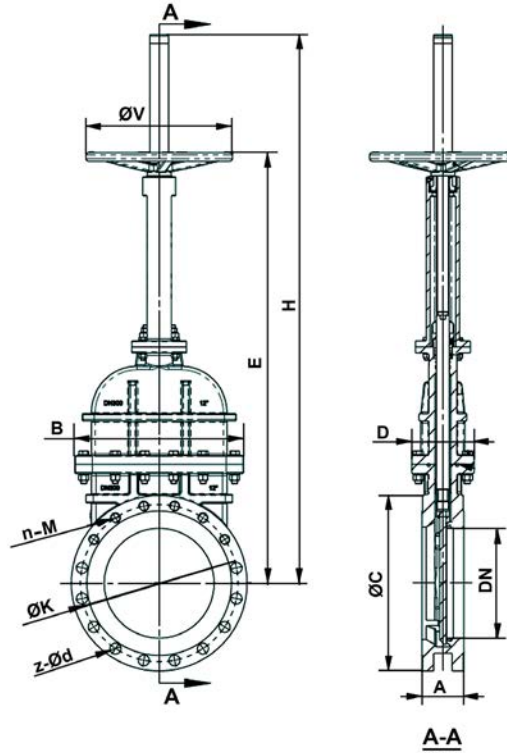


# BOLTED BONNET KNIFE GATE VALVE STAINLESS STEEL BODY

TECHNICAL PASSPORT

VGP6450-00EP

## DIMENSIONS



DN		A	B	ØC	D	E	H	z-Ød	n1-Ø M	ØK	ØV	Weight (kg)
mm	inch											
50	2"	43	145	160	92	422	473	2xØ18	2xM16	125	200	12.5
65	2 1/4"	46	160	180	92	440	506	6xØ18	2xM16	145	200	14.5
80	3"	64	182	190	100	515	593	6xØ18	2xM16	160	200	20
100	4"	64	210	230	110	553	651	6xØ22	2xM20	190	200	26
125	5"	70	245	270	130	690	827	6xØ26	2xM24	220	250	42
150	6"	76	275	300	130	725	882	6xØ26	2xM24	250	250	51
200	8"	89	340	360	150	892	1121	8xØ26	4xM24	310	310	85
250	10"	114	395	425	155	1018	1297	8xØ30	4xM27	370	310	128
300	12"	114	460	480	170	1176	1499	10xØ30	6xM27	430	400	172

Face to face dimension according to TECOFI standard

## WORKING CONDITIONS

Maximum working pressure : 25 bar

Maximum working temperature : -20°C / +110°C

**Tecofi France**

83 rue Marcel Mérieux - 69960 Corbas  
Tél. +33 (0)4 72 79 05 79 - Fax. +33 (0)4 78 90 19 19  
E-mail : sales@tecofi.fr - [www.tecofi.fr](http://www.tecofi.fr)

