

KNIFE GATE VALVE STAINLESS STEEL BODY

TECHNICAL PASSPORT

KNIFE GATE VALVE WITH SQUARE NON RISING STEM STAINLESS STEEL BODY - BETWEEN FLANGES PN10

VG 6400-051

APPLICATION

The knife gate valve is particularly suitable for the most difficult applications.

Area of use: water treatment networks, pulp and paper industry, chemical plants, winemaking, cement works, pneumatic transport, storage.

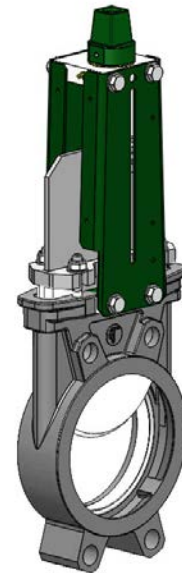


Fluids: water, sewage, pulp, pasty products, powdery, granular, fibrous, abrasive and crystallizing.

GENERAL CHARACTERISTICS

Range: DN50 to DN500.

- Knife Gate Valve on/off or regulation with rising stem.
- Molded monobloc body
- Unidirectional water tightness: Flow direction indicated on the body with an arrow.
- Installation between flanges ISO PN10.
- Small retention zone.
- Gate with a beveled cutting edge guided in the body with little backlash.
- Guaranteed closure, without risk of blockage.
- Standard polished gate, soft contact with the gaskets.
- Very resistant stainless steel packing flange avoids risks of breaks.
- Operating force reduced thanks to the elasticity of the gaskets.
- Pre-formed profiled sheet metal support plates from DN50 to DN300 for accessory or kit mounting.
- Full flow when fully opened, ensuring a high flow rate with low head loss.
- Flow regulation possible for pasty or abrasive fluids with installation of a deflector.



STANDARDS

Design	Manufacture according to the requirements of the European directive n° 2014/68/UE «Equipment under pressure» : modulate H.					
	In option: product conform to European directive ATEX «ATmosphère EXplosive» n° 2014/34/UE.					
Face to face	Face to face dimension according to TECOFI standard					
Connection	Mounting between flanges in accordance with EN1092-2 and ISO 7005-1 : ISO PN10					
Tests	Pressure test according to standards EN12266-1, DIN 3230, BS 5154 and ISO 5208.					
	DN	Body	Seat	DN	Body	Seat
	DN50-250 :	15.4 bar	11 bar	DN300-450:	12.6 bar	7.7 bar
	DN500 :	7.2 bar	4.4 bar			

PRODUCT APPROVALS



Tecofi France

83 rue Marcel Mérieux - 69960 Corbas
Tél. +33 (0)4 72 79 05 79 - Fax. +33 (0)4 78 90 19 19
E-mail : sales@tecofi.fr - www.tecofi.fr



KNIFE GATE VALVE STAINLESS STEEL BODY

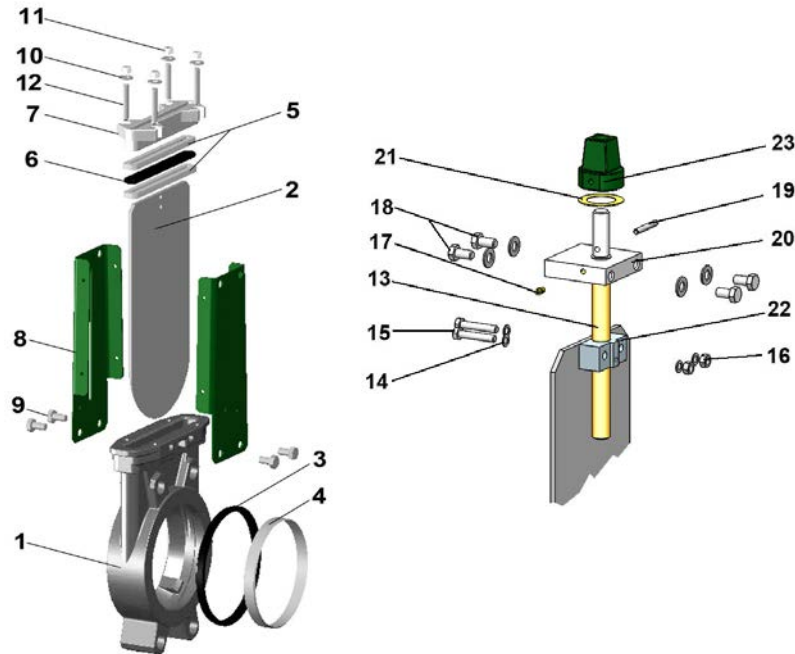
TECHNICAL PASSPORT

VG 6400-051

CONSTRUCTION

Coatings applied on the valve :

Constituant	Revêtement
Support plate (8)	Liquid epoxy RAL 6005 70 microns
Maneuvering square (23)	



Pos.	Q-ty	Description	Material	Equivalence		
				DIN	ASTM	BS
1	1	Body	Stainless steel GX5CrNiMo 19-11-2	G-X6CrNiMo18 10	A 351 grade CF8M	316 C16
2	1	Gate	Stainless steel X2CrNi 17-12-2	X2CrNiMo17-13-2	A 182 AISI 316L	1449-2 316 S11
3	1	Seat gasket (1)	EPDM			
4	1	Support ring (1)	Stainless steel X5CrNiMo 17-12-2	X5CrNiMo18 10	A 182 AISI 316	1449-2 316 S16
5	2	Packing	PTFE			
6	1	O-Ring	EPDM			
7	1	Packing gland	Stainless steel GX5CrNiMo 19-11-2	G-X6CrNiMo18 10	A 351 grade CF8M	316 C16
8	2	Support plate	Steel			
9	4*	Screw	Stainless steel A2-70			
10	4*	Washer	Stainless steel A2-70			
11	4*	Nut	Stainless steel A2-70			
12	4*	Tie rod	Inox A2-70			
13	1	Stem	Stainless steel 13% Cr	X12CR13	AISI 410	
14	1	Washer	Stainless steel A2-70			
15	1	Screw	Stainless steel A2-70			
16	2	Nut	Stainless steel A2-70			
17	1	Greaser	Stainless steel X5CrNi 18 10	X5CrNi 18 10	A 182 AISI 304	1449-2 304 S15
18	4	Screw	Stainless steel A2-70			
19	1	Pin	Stainless steel A1			
20	1	Support nut	Zinc plated steel			
21	1	Washer	Bronze CuSn5Zn8Pb5-C			
22	1	Nut	Bronze CuSn5Zn8Pb5-C			
23	1	Maneuvering square	Cast iron EN-GJL-250	GG25	A48 class 40B	1452 Grade 250

* - 8 for DN350-500 (1) - Parts missing on valves with metal/metal sealing

Tecofi France

83 rue Marcel Mérieux - 69960 Corbas
Tél. +33 (0)4 72 79 05 79 - Fax. +33 (0)4 78 90 19 19
E-mail : sales@tecofi.fr - www.tecofi.fr



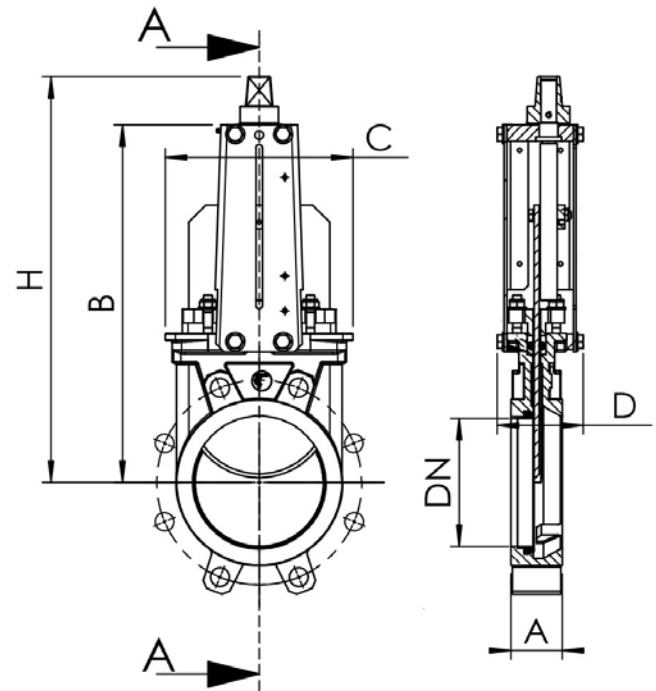
KNIFE GATE VALVE STAINLESS STEEL BODY

TECHNICAL PASSPORT

VG 6400-051

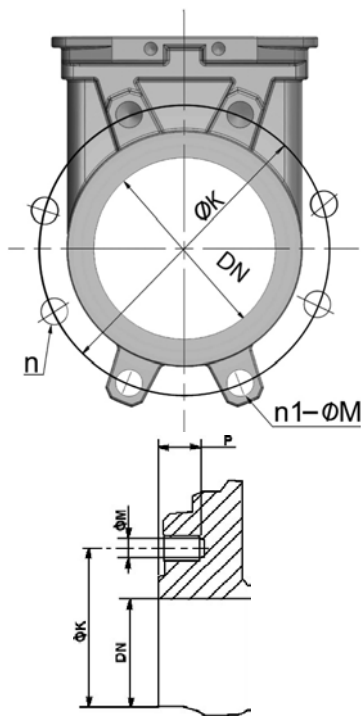
DIMENSIONS

DN		A	B	C	D	H	Weight (kg)
mm	inch						
50	2"	40	240	124	83	327	6.5
65	2 1/2"	40	265	139	83	352	7.8
80	3"	50	290	154	83	377	8.4
100	4"	50	335	174	83	422	10.5
125	5"	50	373	189	93	463	14.4
150	6"	60	424	220	93	514	17.5
200	8"	60	533	275	108	628	32.8
250	10"	70	625	326	108	720	45.0
300	12"	70	732	380	108	827	59.0
350	14"	96	835	438	290	941	114.0
400	16"	100	913	494	290	1051	148.0
450	18"	106	1003	547	290	1143	186
500	20"	110	1040	613	290	1256	221



Dimension A - face to face according to TECOFI standard

MOUNTING



Body details

DN		Maximum pressure (bar)	n	n1-ØM	P	ØK
mm	inch					
50	2"	10	4	4xM16	8	125
65	2 1/2"	10	4	4xM16	8	145
80	3"	10	8	4xM16	9	160
100	4"	10	8	4xM16	9	180
125	5"	10	8	4xM16	9	210
150	6"	10	8	4XM20	10	240
200	8"	10	8	4XM20	12	295
250	10"	10	12	8XM20	12	350
300	12"	7	12	8XM20	19	400
350	14"	7	16	10XM20	20	460
400	16"	7	16	10XM24	24	515
450	18"	7	20	14xM24	24	565
500	20"	4	20	14xM24	24	620

n- Total number of holes
n1- Number of threaded holes

Tecofi France

83 rue Marcel Mérieux - 69960 Corbas
Tél. +33 (0)4 72 79 05 79 - Fax. +33 (0)4 78 90 19 19
E-mail : sales@tecofi.fr - www.tecofi.fr



KNIFE GATE VALVE STAINLESS STEEL BODY

TECHNICAL PASSPORT

VG 6400-051

WORKING CONDITIONS

Maximum working conditions : DN50-250 : 10 bar
 DN300-450 : 7 bar
 DN500 : 4 bar

Maximum working pressure : -10°C / +130°C (EPDM joint in standard)

⚠ The above mentioned pressures are only valid if the direction of assembly indicated by the arrow on the valves is observed.

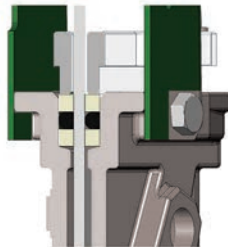
Upstream/downstream tightness



Elastomer
tightness

metal/metal
tightness

Packing tightness



PTFE/elastomer

Tightness in option

Tightness	Maximum temperature
Metal/metal	Tmax : -10°C / +80°C
NBR	Tmax : -10°C / +80°C
White EPDM	Tmax : -10°C / +130°C
Silicone	Tmax : -10°C / +170°C
FPM (Type Viton®)	Tmax : -10°C / +170°C
PTFE	Tmax : +4°C / +170°C
CSM (Type Hypalon®)	Tmax : +4°C / +80°C

⚠ To ensure a satisfactory tightness, when using the PTFE gasket, the operating pressure must be at least 1 bar.

FLOWS

Flow rates of valves under different differential pressure (m³/h)

DN		0.2 bar	0.4 bar	0.6 bar	0.8 bar	1.0 bar
mm	inch					
50	2"	93	134	165	185	206
65	2 1/2"	129	180	213	268	309
80	3"	191	309	371	422	494
100	4"	443	618	721	824	927
125	5"	700	927	1133	1339	1545
150	6"	927	1339	1545	1906	2060
200	8"	1597	2369	2987	3399	4017
250	10"	2472	3502	4429	5150	5665
300	12"	4120	5665	6798	7828	8755
350	14"	5335	7372	8730	9700	11640
400	16"	6693	9312	11640	13580	15520
450	18"	8342	12610	14550	16490	18430
500	20"	9700	14550	17460	19400	22310

The column of the table under 1 bar gives the values of the Kvs of the valves

Tecofi France

83 rue Marcel Mérieux - 69960 Corbas
 Tél. +33 (0)4 72 79 05 79 - Fax. +33 (0)4 78 90 19 19
 E-mail : sales@tecofi.fr - www.tecofi.fr

