

# KNIFE GATE VALVE WITH LEVER

## VG 3400-02



### APPLICATION

General use : Pulp production, water, water treatment, waste water, chemical industry (powdery or crystallizing products), wine-producing, pulverized products (cement work, pneumatic transport, stocking).

### GENERAL CHARACTERISTICS

Function ON/OFF or regulation.  
 Wafer threaded mounting ISO PN10.  
 Unidirectional tightness, direction indication thanks to the arrow on the body.  
 Small retention zone: the gate is guided in the body and has little clearance.  
 Gland assembly: packing and O-ring (same material as seat joint) to assure the elasticity and decrease the operating force.  
 Small head loss.  
 Possibility to regulate thick fluids the adaptation of a diaphragm ring .

### CONSTRUCTION

13	1	Locked screw	Coated steel	
12	1	O-ring	Nitril	
11**	1	Support ring	Stainless steel 316	DIN : X5CrNiMo18 10 ASTM : A 182 AISI 316 BS : 316 S16
10**	1	Gasket	Nitril	
9	1	Packing gland	Ductile iron	
8	1	Lever	Steel	
7	1	Guiding ring	Bronze	
6	1	Nut support	Zinc steel	
5*	2	Support plate	Steel + epoxy	
4	1	Stem	Stainless steel 13%Cr	
3	1	Knife gate	X5CrNi 18-10	DIN : X5CrNi 18-10 ASTM : AISI 304 BS : 304 S15
2	2	Packing	PTFE	
1	1	Body	EN-GJL-250	DIN : GG 25 ASTM : A48 class 40B BS : 1452 Grade 250
<b>Pos.</b>	<b>Qty.</b>	<b>Description</b>	<b>Material</b>	

\* Pre-shaped parts up to DN 300.  
 \*\* Missing parts on metal-metal tightness.

### DIMENSIONS

DN		A	B	C	D	H min	H max	I	J	K	L	ØK	n	Ø M	Weight (kg)
mm	inch														
50	2"	40	240	124	83	93	329	140	330	119	140	125	4	4-M16	7,5
65	2 1/2"	40	265	139	83	119	407	140	330	119	140	145	4	4-M16	7,8
80	3"	50	290	154	83	226	563	140	330	119	140	160	8	4-M16	8,4
100	4"	50	335	174	83	147	631	140	430	119	140	180	8	4-M16	11,5
125	5"	50	373	189	93	187	767	140	430	119	140	210	8	4-M16	14,4
150	6"	60	424	220	93	236	918	140	430	119	140	240	8	4-M20	18,5
200	8"	60	533	275	108	183	1058	228	638	173	255	295	8	4-M20	28,8
250	10"	70	625	326	108	321	1374	228	638	173	255	350	12	8-M20	41,0
300	12"	70	732	380	108	449	1709	228	638	173	255	400	12	8-M20	58,0

### WORKING CONDITIONS

Maximum working pressure : DN 50-250 : 10 bar  
 DN 300 : 7 bar

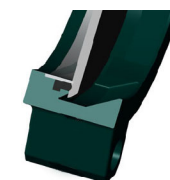
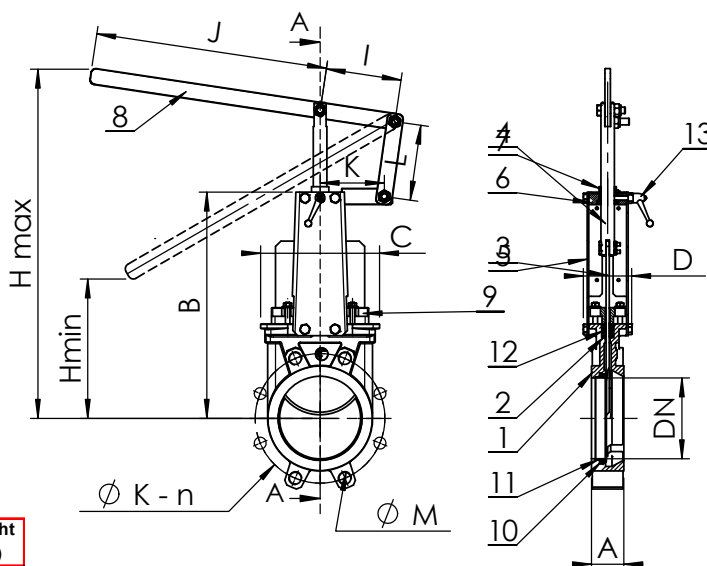
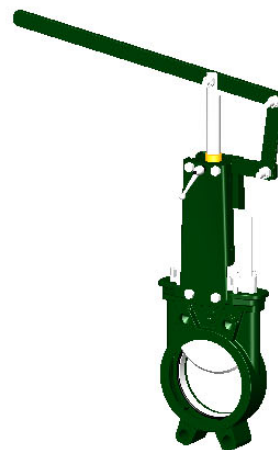
Maximum temperature : -10°C / +80°C

Others materials on request (if marked)	Maximum temperature	
Metal / metal	T max : -10°C / +80°C.	<input type="checkbox"/>
White NBR	T max : -10°C / +80°C.	<input type="checkbox"/>
EPDM	T max : -10°C / +130°C.	<input type="checkbox"/>
Silicone	T max : -10°C / +170°C.	<input type="checkbox"/>
FPM (Type Viton®)	T max : -10°C / +170°C.	<input type="checkbox"/>
PTFE***	T max : +4°C / +170°C.	<input type="checkbox"/>
CSM (Type Hypalon®)	T max : +4°C / +80°C.	<input type="checkbox"/>

\*\*\* Minimum working pressure : 1 bar

### STANDARDS

Manufacture according to the requirements of the European directive 2014/68/UE «Equipments under pressure» : modulate H.  
 On request : Product in accordance to european directive "Potentially explosive atmospheres" N° 94/9/EC : ATEX II 2 GD c and ATEX II 3 GD c.  
 Test procedures are established according to standard EN 12266-1, DIN 3230, BS 5154 and ISO 5208.  
 Connections according to standard EN 1092-2 and DIN 2501 : ISO PN10.



Standard tightness



Tightness metal/metal