

Ref. : VAS5843NPT

Rev. : Initial

Date : 08/01/2015

Page : 1/1

FORGED GATE VALVE 800LBS

VAS 5843NPT



APPLICATION

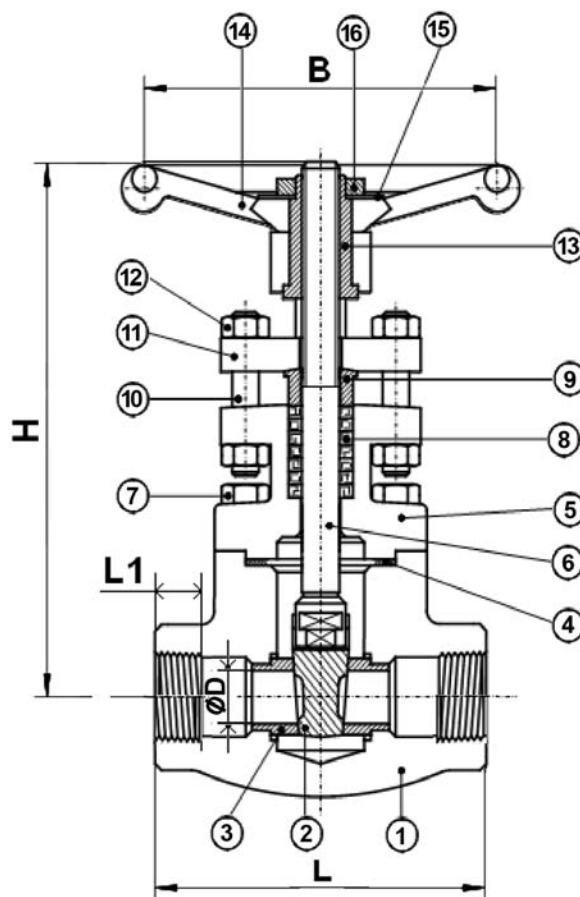
General use: Petroleum industry, steam, high pressure.

GENERAL CHARACTERISTICS

Standard port.
Rising stem non rotating (OS&Y).
Bolted bonnet and gland pack.
Forged Carbon steel.
½ stellite (Trim 8).
800 lbs.

CONSTRUCTION

16 Wheel nut	Carbon steel	
15 Name plate A	Aluminium	
14 Handwheel	Carbon steel	
13 Yoke nut	Steel ASTM A582 type 416	
12 Gland nut	Steel ASTM A194 2H	
11 Gland flange	Steel ASTM A105	
10 Gland tie rod	SS 410	
9 Gland	SS ASTM A276 type 410	
8 Packing Gr	Graphite	
7 Bolt	Steel ASTM A193 B7	
6 Stem	SS ASTM A276 type 410	
5 Bonnet	Steel ASTM A105N	
4 Gasket	SS 316 + graphite spiral wound	
3 Seat	SS ASTM A276 type 410 + Stellite GR.6	
2 Wedge	Steel ASTM A182 F6	
1 Body	Steel ASTM A105N	
Pos.	Description	Material



DIMENSIONS

DN		L	H (opened)	ØD	ØB	L1	Weight (kg)	
mm	inch							
10	3/8"	80	14	89.	6	90	13	1.84
15	1/2"	80	14	89.	6	90	15	1.84
20	3/4"	90	1	63	14	90	18	2.06
25	1"	110	1	78	18	110	19	3.35
32	1"1/4	127	2	10	24	110	20	4.9
40	1"1/2	127	2	43	30	130	21	6.5
50	2"	127	2	62	36	130	21	8.8

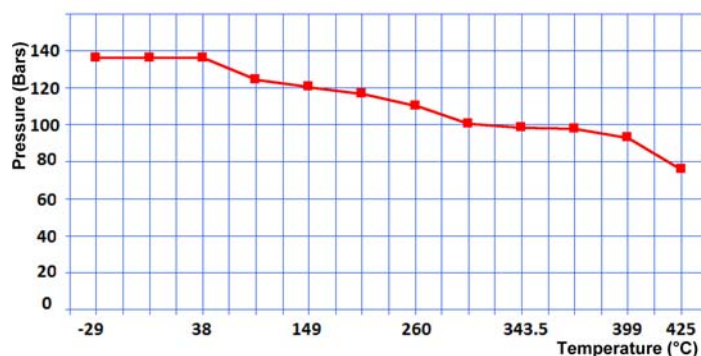
WORKING CONDITIONS

Maximum working pressure : 138 bar.
Maximum working temperature : -29°C/+425°C.

STANDARDS

Fabrication according to **ISO 9001 : 2008**
DIRECTIVE 2014/68/UE
Risk category III module H
Designing according to **ISO 15761** and **API 602 8th**
Approval certificate **API 6D**
Tests according to **API 598**
Approval certificate Russian Federation **GOST-R**
Valves approved by the main oil industries.
ATEX Group II Category 2 G/2D Zone 1 & 21 Zone 2 & 22.
Threaded female NPT ends according to ANSI B1.20.1

PRESSURE / TEMPERATURE GRAPH



TECOFI France - 83, Rue Marcel Mérieux 69960 Corbas - FRANCE
Tél. +33 (0) 4 72 79 05 79 - Fax +33 (0) 4 78 90 19 19 / +33 (0) 4 72 79 05 70
Adresses e-mail : sales@tecofi.fr ; tecofi@tecofi.fr / Site web : www.tecofi.fr