

Ref. : VAS5842SW

Rev. : Initial

Date : 08/01/2015

Page : 1/1

FORGED GATE VALVE WELDED BONNET 800LBS

VAS 5842SW



APPLICATION

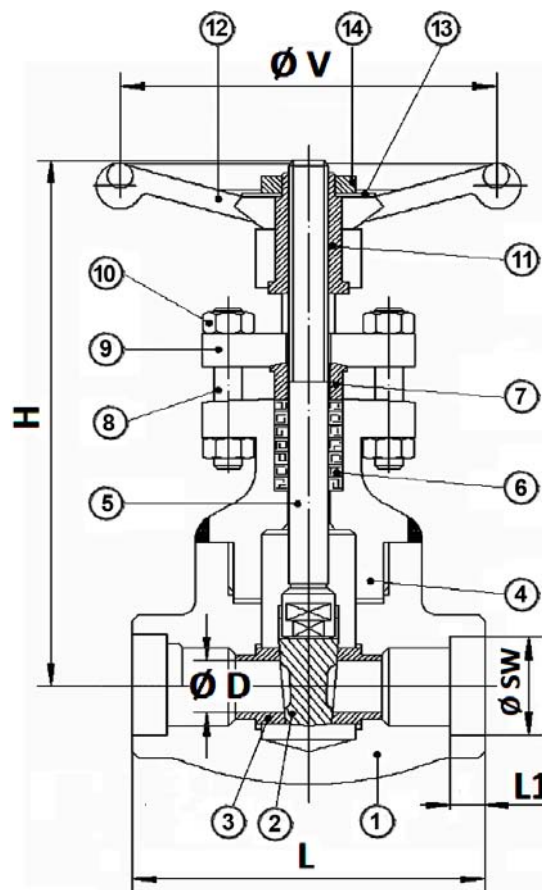
General use: Petroleum industry, steam, high pressure.

GENERAL CHARACTERISTICS

Standard bore
Rising non rotating stem (OS&Y)
Welded bonnet
Bolted gland pack
Forged carbon steel A105N
Full stellite (Trim 5)
800 lbs

CONSTRUCTION

14	Handwheel nut	Carbon steel
13	ID plate	Aluminium
12	Handwheel	Carbon steel
11	Yoke nut	Steel ASTM A473 type 416
10	Gland nut	Steel ASTM A194 2H
9	Gland flange	Steel ASTM A105
8	Packing tie rod	UNS S41000
7	Gland	UNS S41000
6	Packing	Graphite
5	Stem	SS ASTM A276 type 410
4	Bonnet	Steel ASTM A105N
3	Seat	SS ASTM A276 type 410 Stellite
2	Wedge	Steel ASTM A182 F6a stellite
1	Body	Steel ASTM A105N
Pos.	Description	Material



DIMENSIONS

DN		L	H (opened)	ØD	ØV	L1 (SW)	ØSW	Weight (kg)
mm	inch							
15	1/2"	80	148	9.6	80	12.7	21.8	1.6
20	3/4"	90	163	14	80	14.5	27.2	2.2
25	1"	110	178	18	110	16	33.9	3.5
32	1 1/4"	127	210	24	110	17.5	42.7	5
40	1 1/2"	127	243	30	130	19	48.8	6.3
50	2"	127	262	36.5	130	22	61.2	8

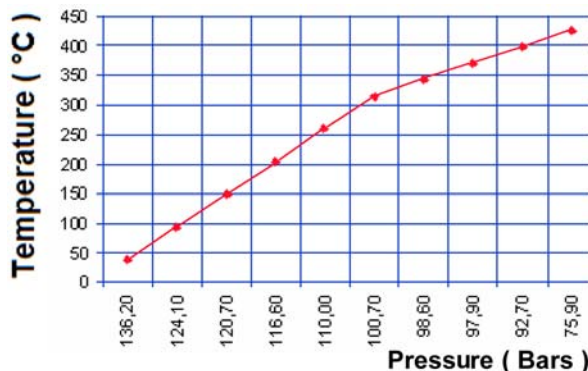
WORKING CONDITIONS

Maximum working pressure : 136 bar.
Maximum working temperature : -29°C/+425°C.

STANDARDS

Fabrication according to **ISO 9001 : 2008**.
DIRECTIVE 2014/68/UE Risk category III module H.
Designing according to **ISO 15761** and **API 602** 8th.
Approval certificate **API 6D**.
Tests according to **API 598**.
Approval certificate Russian Federation **GOST-R**.
Valves approved by the main oil industries .
ATEX Group II Category 2 G/2D Zone 1 & 21 Zone 2 & 22.
Socket welding (SW) connection.

PRESSURE / TEMPERATURE GRAPH



TECOFI France - 83, Rue Marcel Mérieux 69960 Corbas - FRANCE
Tél. +33 (0) 4 72 79 05 79 - Fax +33 (0) 4 78 90 19 19 / +33 (0) 4 72 79 05 70
Adresses e-mail : sales@tecofi.fr ; tecofi@tecofi.fr / Site web : www.tecofi.fr