

FLANGED METAL GATE VALVE

TECHNICAL PASSPORT

FLANGED PN16 NON-RISING STEM GATE VALVE WITH SHORT PATTERN

V 4246

APPLICATION

Disconnection of flow in fluid transfer networks.

Area of use: Industrial installation, central heating, air conditioning, water transfer networks, water supply, irrigation, sugar factory, mines, etc



Fluids: water, mineralized water, discharges.

GENERAL CHARACTERISTICS

Range: from DN40 to DN300.
 Full bore, erasure of the wedge in the fully open position.
 Low pressure drop.
 Excellent tightness guaranteed by attached brass seats.
 Brass sealing ring on the wedge.
 Packing gland on the stem..
 Operated by handwheel with non rising stem.



STANDARDS

Connection	Flanged connection according to EN 1092-2 and ISO 7005-2 : ISO PN16.
Face to face	Face to face in accordance with EN 558 serie 14 & DIN3202 F4 short pattern.
Tests	Pressure test according to standards EN12266-1, DIN 3230, BS 5154 and ISO 5208. - Body : 24 bar - Seat : 17.6 bar

PRODUCT APPROVALS



Tecofi France

83 rue Marcel Mérieux - 69960 Corbas
 Tél. +33 (0)4 72 79 05 79 - Fax. +33 (0)4 78 90 19 19
 E-mail : sales@tecofi.fr - www.tecofi.fr



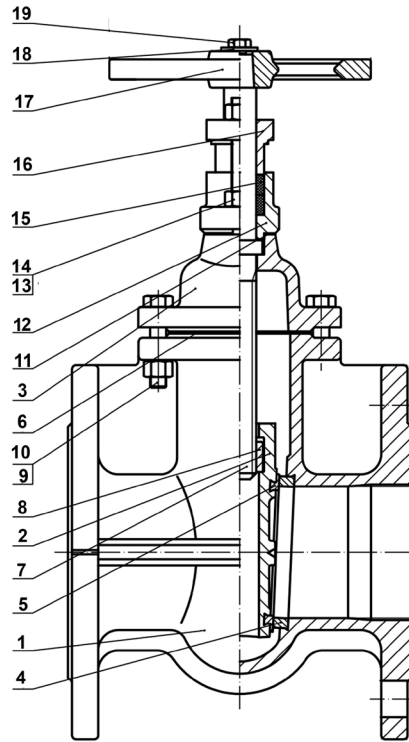
FLANGED METAL GATE VALVE

TECHNICAL PASSPORT

V 4246

CONSTRUCTION

Component	Coating
Body & bonnet	Epoxy liquid RAL 5015 100 microns
Handwheel	Epoxy RAL 5015 80 microns



Pos.	Description	Material	Equivalences		
			DIN	ASTM	BS
1	Body	Ductile iron EN-GJS-500-7	GGG 50 / DIN1693	ASTM 35B	HT250
2	Wedge	Ductile iron EN-GJS-500-7	GGG 50 / DIN1693	ASTM 35B	HT250
3	Bonnet	Ductile iron EN-GJS-500-7	GGG 50 / DIN1693	ASTM 35B	HT250
4	Body seal ring	Cast brass	G-CuZn37Pb / DIN17656		ZCuZn40Pb2
5	Wedge seal ring	Cast brass	G-CuZn37Pb / DIN17656		ZCuZn40Pb2
6	Bonnet gasket	Graphite			LC35-999
7	Stem	Stainless steel	X20Cr13 / DIN17440		2Cr13
8	Stem nut	Cast brass			ZCuZn38Mn2Pb2
9	Bolt	Steel	DIN 17100 RSt37-2		Q235
10	Nut	Steel	DIN 17100 RSt37-2		Q235
11	Stuffing box gasket	Rubber graphite			
12	Stuffing box	Ductile iron EN-GJS-500-7	GGG 50 / DIN1693	ASTM 80-55-06	QT500-7
13	Bolt	Steel	DIN 17100 RSt37-2		Q235
14	Nut	Steel	DIN 17100 RSt37-2		Q235
15	Packing	Graphite			LC35-999
16	Gland follower	Ductile iron EN-GJS-500-7	GGG 50 / DIN1693	ASTM 80-55-06	QT500-7
17	Handwheel	Cast iron EN-GJL-250	GG 25 / DIN1691	ASTM 35B	HT250
18	Washer	Steel	RSt37-2 / DIN 17100		Q235
19	Bolt	Steel	RSt37-2 / DIN 17100		Q235

Tecofi France

83 rue Marcel Mérieux - 69960 Corbas
 Tél. +33 (0)4 72 79 05 79 - Fax. +33 (0)4 78 90 19 19
 E-mail : sales@tecofi.fr - www.tecofi.fr

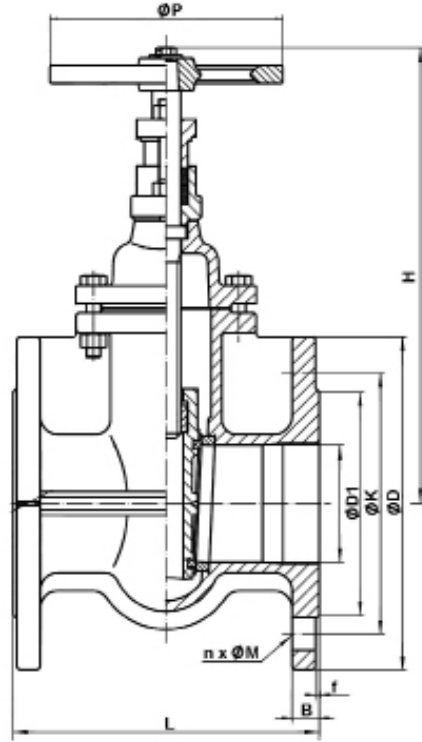


FLANGED METAL GATE VALVE

TECHNICAL PASSPORT

V 4246

DIMENSIONS



DN		L	Ø D	ØK	ØD1	ØP	H	n-ØM	B	f	Weight (kg)
mm	inch										
40	1 1/2"	140	150	110	80	130	245	4-Ø19	16	2	8.7
50	2"	150	165	125	102	130	255	4-Ø19	16	2	10.8
65	2 1/2"	170	185	145	124	130	277	4-Ø19	16	2	12.8
80	3"	180	200	160	140	150	303	8-Ø19	17	2	16.6
100	4"	190	220	180	158	185	340	8-Ø19	17	2	22.8
125	5"	200	250	210	188	185	387	8-Ø19	18	3	32.1
150	6"	210	285	240	212	195	545	8-Ø23	20	3	42.9
200	8"	230	340	295	268	225	538	12-Ø23	21	3	71.3
250	10"	250	405	355	320	245	629	12-Ø28	23	3	98
300	12"	270	460	410	378	285	730	12-Ø28	24	4	145.2

WORKING CONDITIONS

Maximum working pressure : 16 bar
 Maximum working temperature : -10°C / +120°C

Tecofi France

83 rue Marcel Mérieux - 69960 Corbas
 Tél. +33 (0)4 72 79 05 79 - Fax. +33 (0)4 78 90 19 19
 E-mail : sales@tecofi.fr - www.tecofi.fr

