

FLANGED METAL GATE VALVE

TECHNICAL PASSPORT

FLANGED PN16 WITH RISING STEM GATE VALVE WITH SHORT PATTERN

V 4242

APPLICATION

Disconnection of flow in fluid transfer networks.

Area of use: Industrial installation, central heating, air conditioning, water transfer networks, water supply, irrigation, sugar factory, mines, fire system, petrochemical, etc.



Fluids: water, oil, steam.

GENERAL CHARACTERISTICS

Range: from DN 40 to DN400.
Full bore, erasure of the wedge in the fully open position.
Low pressure drop.
Excellent tightness guaranteed by attached brass seats.
Brass sealing ring on the wedge.
Packing gland on the stem.
Operated by handwheel with rising stem.



STANDARDS

| | |
|---------------------|--|
| Connection | Flanged connection according to EN 1092-2 et ISO 7005-2 : ISO PN16. |
| Face to face | Face to face in accordance with EN 558-1 série 14 and DN3202 F4 short pattern. |
| Essais | Pressure test according to standards EN12266-1 and ISO 5208. - Body : 24 bar - Seat : 17.6 bar |

PRODUCT APPROVALS

ERC

Tecofi France

83 rue Marcel Mérieux - 69960 Corbas
Tél. +33 (0)4 72 79 05 79 - Fax. +33 (0)4 78 90 19 19
E-mail : sales@tecofi.fr - www.tecofi.fr



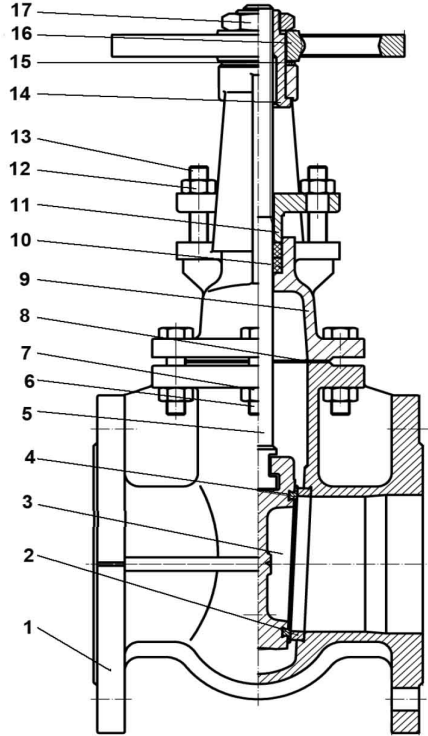
FLANGED METAL GATE VALVE

TECHNICAL PASSPORT

V 4242

CONSTRUCTION

| Component | Coating |
|---------------|--------------------------------------|
| Body & bonnet | Epoxy liquid RAL 5015 100 microns |
| Handwheel | Epoxy RAL 5015 80 microns |



| Pos. | Description | Material | Equivalences | | |
|------|------------------|---------------------------|-----------------------|---------------|------------|
| | | | DIN | ASTM | BS |
| 1 | Body | Ductile iron EN-GJS-500-7 | GGG 50 / DIN1693 | ASTM 80-55-06 | QT500-7 |
| 2 | Seat | Cast brass | G-CuZn37Pb / DIN17656 | | ZCuZn40Pb2 |
| 3 | Wedge | Ductile iron EN-GJS-500-7 | GGG 50 / DIN1693 | ASTM 80-55-06 | QT500-7 |
| 4 | Wedge seat ring | Cast brass | G-CuZn37Pb / DIN17656 | | ZCuZn40Pb2 |
| 5 | Stem | Stainless steel | X20Cr13 / DIN17440 | | 2Cr13 |
| 6 | Bolt | Steel | RSt37-2 / DIN 17100 | | Q235 |
| 7 | Nut | Steel | RSt37-2 / DIN 17100 | | Q235 |
| 8 | Bonnet gasket | Graphite | | | LC35-999 |
| 9 | Bonnet | Ductile iron EN-GJS-500-7 | GGG 50 / DIN1693 | ASTM 80-55-06 | QT500-7 |
| 10 | Packing | Graphite | | | LC35-999 |
| 11 | Glang follower | Ductile iron EN-GJS-500-7 | GGG 50 / DIN1693 | ASTM 80-55-06 | QT500-7 |
| 12 | Nut | Steel | RSt37-2 / DIN 17100 | | Q235 |
| 13 | Bolt | Steel | RSt37-2 / DIN 17100 | | Q235 |
| 14 | Stem nut | Cast brass | G-CuZn37Pb / DIN17656 | | ZCuZn40Pb2 |
| 15 | Handwheel gasket | Cast brass | G-CuZn37Pb / DIN17656 | | ZCuZn40Pb2 |
| 16 | Handwheel | Cast iron EN-GJL-250 | GG 25 / DIN1691 | ASTM 35B | HT250 |
| 17 | handwheel nut | Ductile iron EN-GJS-500-7 | GGG 50 / DIN1693 | ASTM 80-55-06 | QT500-7 |

Tecofi France

83 rue Marcel Mérieux - 69960 Corbas
 Tél. +33 (0)4 72 79 05 79 - Fax. +33 (0)4 78 90 19 19
 E-mail : sales@tecofi.fr - www.tecofi.fr

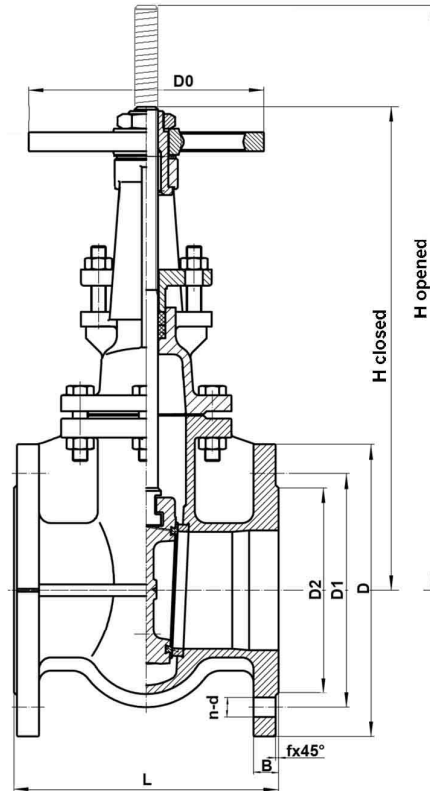


FLANGED METAL GATE VALVE

TECHNICAL PASSPORT

V 4242

DIMENSIONS



| DN | | L | Ø D | ØD1 | ØD2 | ØD0 | H Closed | H Opened | n-d | B | f | Weight (kg) |
|-----|--------|-----|-----|-----|-----|-----|----------|----------|--------|------|---|-------------|
| mm | inch | | | | | | | | | | | |
| 40 | 1 1/2" | 140 | 150 | 110 | 84 | 160 | 244 | 295 | 4-Ø19 | 16 | 2 | 9.8 |
| 50 | 2" | 150 | 165 | 125 | 99 | 160 | 254 | 315 | 4-Ø19 | 16 | 2 | 11.9 |
| 65 | 2 1/2" | 170 | 185 | 145 | 118 | 160 | 294 | 371 | 4-Ø19 | 16 | 2 | 13.1 |
| 80 | 3" | 180 | 200 | 160 | 132 | 160 | 331 | 424 | 8-Ø19 | 17 | 2 | 17.2 |
| 100 | 4" | 190 | 220 | 180 | 156 | 200 | 385 | 500 | 8-Ø19 | 17 | 2 | 23.2 |
| 125 | 5" | 200 | 250 | 210 | 184 | 200 | 457 | 598 | 8-Ø19 | 18 | 3 | 34.2 |
| 150 | 6" | 210 | 285 | 240 | 211 | 250 | 545 | 711 | 8-Ø23 | 20 | 3 | 44.4 |
| 200 | 8" | 230 | 340 | 295 | 266 | 250 | 683 | 901 | 12-Ø23 | 21 | 3 | 77.5 |
| 250 | 10" | 250 | 405 | 355 | 319 | 320 | 1134 | 1508 | 12-Ø28 | 23 | 3 | 110 |
| 300 | 12" | 270 | 460 | 410 | 370 | 320 | 1286 | 1715 | 12-Ø28 | 24 | 4 | 155 |
| 350 | 14" | 290 | 520 | 470 | 429 | 400 | 1463 | 1945 | 16-Ø28 | 26.5 | 4 | 245 |
| 400 | 16" | 310 | 580 | 525 | 480 | 400 | 1603 | 2141 | 16-Ø28 | 28 | 4 | 324 |

WORKING CONDITIONS

Maximum working pressure : 16 bar
 Maximum working temperature : + 180°C

Tecofi France

83 rue Marcel Mérieux - 69960 Corbas
 Tél. +33 (0)4 72 79 05 79 - Fax. +33 (0)4 78 90 19 19
 E-mail : sales@tecofi.fr - www.tecofi.fr

