

Ref. : V 3201.pas

Rev. : Initial

Date : 13/05/2009

Page : 1/1

GATE VALVE WITH FLANGES LONG PATTERN PN16

V 3201



Tecofi
VALVE DESIGNER - FRANCE

APPLICATION

Cutting fluid, simple industrial installation.
Central heating cold water low pressure.

GENERAL CHARACTERISTICS

Cast iron body, copper alloy seat.
Operating by handwheel - Non rising stem.
Flanged ends - PN 16.

CONSTRUCTION

10	1	Bonnet gasket	Graphite	
9	1	Handwheel	Cast iron EN-GJL-250	DIN: GG25 ASTM: A48 class 40B BS: 1452 Grade 250
8	1	Packing gland	Ductile iron EN-GJS-400-15	DIN: GGG50 ASTM: A536 65-45-12 BS: EN-JS1030
7	1	Packing	Graphite	
6	1	Gasket	Graphite	
5	1	Bonnet	Cast iron EN-GJL-250	DIN: GG25 ASTM: A48 class 40B BS: 1452 Grade 250
4	1	Stem	Stainless steel 420 X20Cr13	DIN: 1.4021 ASTM: A 276 AISI 420 BS: 420 S 37
3	1	Wedge	Cast iron / Copper alloy EN-GJL-250 / CuZn39Pb2	DIN: GG 25 / CuZn39Pb2 ASTM: A48 Class 40B / B124 C37700 BS: 1452 Grade 250 / 12164 CZ121
2	2	Seat	Copper alloy	
1	1	Body	Cast iron EN-GJL-250	DIN: GG25 ASTM: A48 class 40B BS: 1452 Grade 250
Pos.	Qty.	Description	Material	



DIMENSIONS

DN		L	Ø D	Ø K	n x Ø M	H	Ø P	Weight (kg)
mm	inch							
40	1 1/2"	240	150	110	4 x Ø19	230	130	11.8
50	2"	250	165	125	4 x Ø19	250	130	13.2
65	2 1/2"	270	185	145	4 x Ø19	285	130	17
80	3"	280	200	160	8 x Ø19	330	150	23.8
100	4"	300	220	180	8 x Ø19	360	185	31
125	5"	325	250	210	8 x Ø19	400	185	43.3
150	6"	350	285	240	8 x Ø23	455	195	57.9
200	8"	400	340	295	8 x Ø23	520	225	89.8
250	10"	450	395	350	12 x Ø23	635	245	130.5
300	12"	500	445	400	12 x Ø23	715	285	165.6

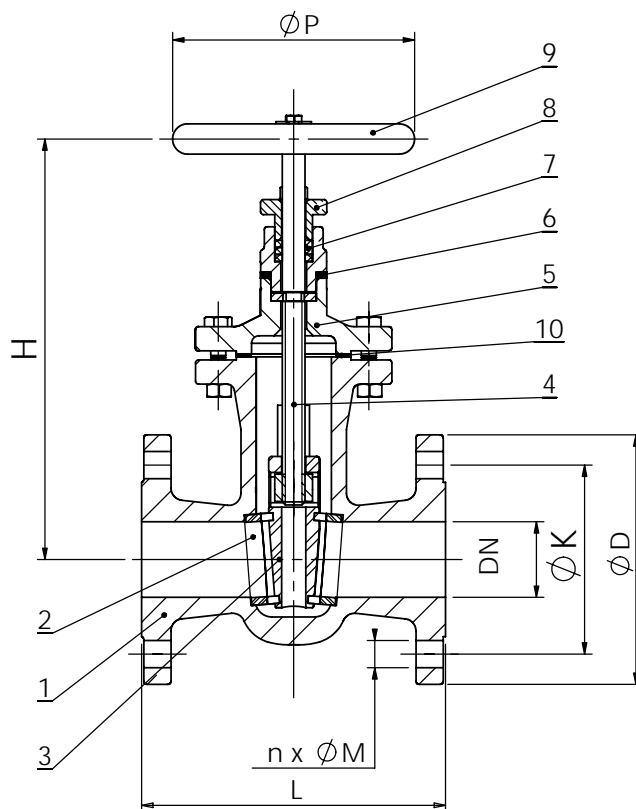
WORKING CONDITIONS

PS max : DN 40-300 : 16 bar
Maximum temperature : +120°C.

Pressure test according to standards
EN 12266-1, DIN 3230, BS 6755 and ISO 5208.

STANDARDS

Face to face according to standards EN 558-1 serie 15 and
DIN 3202 /F5 long pattern.
Flanges drilled according to standards EN 1092-2
and DIN 2501 : ISO PN 16.



TECOFI France - 83, Rue Marcel Mérieux 69960 Corbas - FRANCE
Tél. +33 (0) 4 72 79 05 79 - Fax +33 (0) 4 78 90 19 19 / +33 (0) 4 72 79 05 70
Adresses e-mail : sales@tecofi.fr ; tecofi@tecofi.fr / Site web : www.tecofi.fr