

Ref. : V 3200.pas

Rev. : B

Date : 27/07/2009

Page : 1/1

GATE VALVE WITH FLANGES SHORT PATTERN PN10

V 3200



Tecofi
VALVE DESIGNER - FRANCE

APPLICATION

Cutting fluid, simple industrial installation.
Central heating cold water low pressure.

GENERAL CHARACTERISTICS

Cast iron body, copper alloy seat.
Operating by handwheel - Non rising stem.
Flanged ends - PN 10.

CONSTRUCTION

10	1	Bonnet gasket	Graphite	
9	1	Handwheel	Cast iron EN-GJL-250	DIN: GG25 ASTM: A48 class 40B BS: 1452 Grade 250
8	1	Packing gland	Ductile iron EN-GJS-400-15	DIN: GGG50 ASTM: A536 65-45-12 BS: EN-JS1030
7	1	Packing	Graphite	
6	1	Gasket	Graphite	
5	1	Bonnet	Cast iron EN-GJL-250	DIN: GG25 ASTM: A48 class 40B BS: 1452 Grade 250
4	1	Stem	Stainless steel 420 X20Cr13	DIN: 1.4021 ASTM: A 276 AISI 420 BS: 420 S 37
3	1	Wedge	Cast iron / Copper alloy EN-GJL-250 / CuZn39Pb2	DIN: GG 25 / CuZn39Pb2 ASTM: A48 Class 40B / B124 C37700 BS: 1452 Grade 250 / 12164 CZ121
2	2	Seat	Copper alloy	
1	1	Body	Cast iron EN-GJL-250	DIN: GG25 ASTM: A48 class 40B BS: 1452 Grade 250
Pos.	Qty.	Description	Material	



DIMENSIONS

DN		L	Ø D	Ø K	n x Ø M	H	Ø P	Weight (kg)
mm	inch							
40	1 1/2	140	150	110	4 x Ø19	245	130	8,7
50	2"	150	165	125	4 x Ø19	255	130	10,8
65	2 1/2	170	185	145	4 x Ø19	277	130	12,8
80	3"	180	200	160	8 x Ø19	303	150	16,6
100	4"	190	220	180	8 x Ø19	340	185	22,8
125	5"	200	250	210	8 x Ø19	387	185	32,1
150	6"	210	285	240	8 x Ø23	545	195	42,9
200	8"	230	340	295	8 x Ø23	538	225	71,3
250	10"	250	395	350	12 x Ø23	629	245	98,0
300	12"	270	445	400	12 x Ø23	730	285	145,2
350	14"	290	505	460	16 x Ø23	870	400	211
400	16"	310	565	515	16 x Ø28	940	400	275

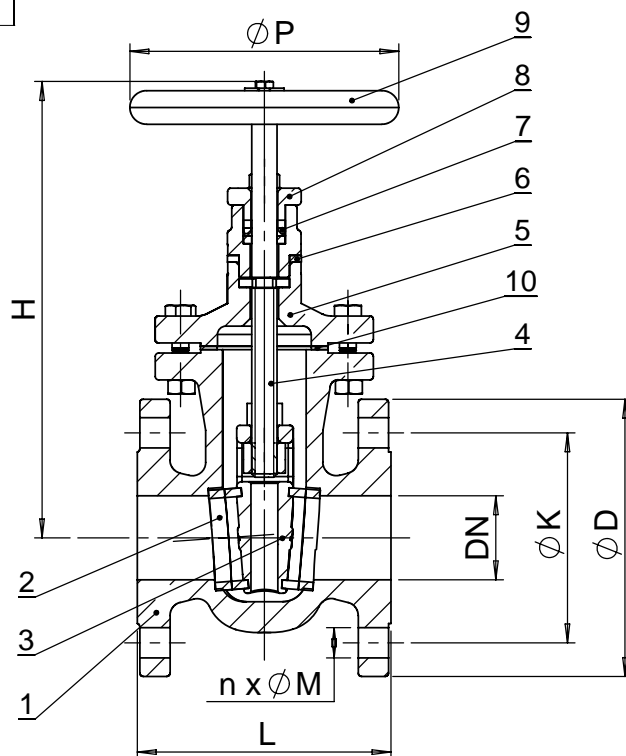
WORKING CONDITIONS

PS max : DN 40-300 : 10 bar
DN 350-400 : 4 bar
Maximum temperature : +120°C.

Pressure test according to standards
EN 12266-1, DIN 3230, BS 6755 and ISO 5208.

STANDARDS

Face to face according to standards EN 558-1 serie 14 and
DIN 3202 /F4 short pattern.
Flanges drilled according to standards EN 1092-2
and DIN 2501 : ISO PN 10.



TECOFI France - 83, Rue Marcel Mérieux 69960 Corbas - FRANCE
Tél. +33 (0) 4 72 79 05 79 - Fax +33 (0) 4 78 90 19 19 / +33 (0) 4 72 79 05 70
Adresses e-mail : sales@tecofi.fr ; tecofi@tecofi.fr / Site web : www.tecofi.fr