

Ref. : V 2143.pas

Rev. : I

Date : 20/09/2017

Page : 1/1

BRONZE GATE VALVE PN20

V 2143



APPLICATION:

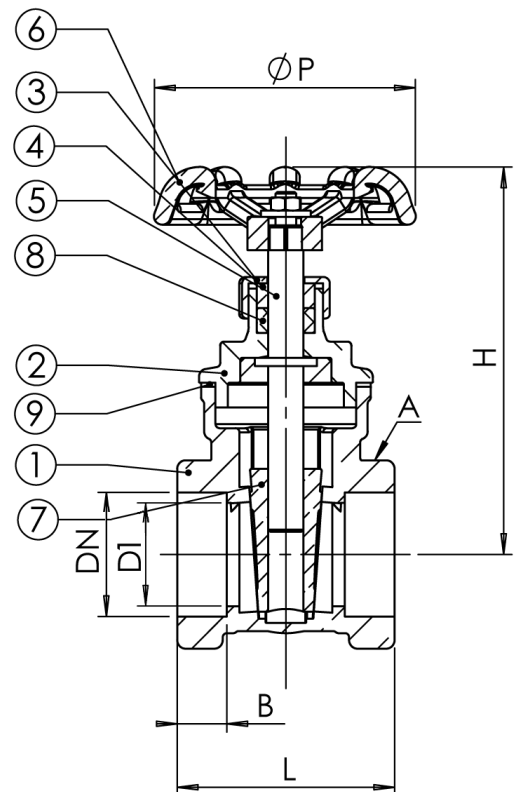
Cutting of a usual fluid, economic installation
cold water low pressure with control for gas.

GENERAL CHARACTERISTICS:

Bronze body, bonnet and seat.
BSP female threaded ends - PN 20.

CONSTRUCTION

9	1	Bonnet washer	PTFE	
8	1	Stem packing	EPDM	
7	1	Wedge	Bronze CuSn5Zn5Pb5-C	DIN: G-CuSn5PbZn (Rg 5) ASTM: B62 C83600 BS: 1400 LG2
6	1	Handwheel	Cast iron	
5	1	Stem	Copper alloy CuZn39Pb2	DIN: CuZn39Pb2 ASTM: B124 C37700 BS: 12164 CZ121
4	1	Packing gland	Bronze	
3	1	Nut	Bronze	
2	1	Bonnet	Bronze CuSn5Zn5Pb5-C	DIN: G-CuSn5PbZn (Rg 5) ASTM: B62 C83600 BS: 1400 LG2
1	1	Body	Bronze CuSn5Zn5Pb5-C	DIN: G-CuSn5PbZn (Rg 5) ASTM: B62 C83600 BS: 1400 LG2
Pos.	Qty.	Description	Material	



DIMENSIONS

DN		L	H	D1	ØP	A	B	Weight (kg)
mm	inch							
15	1/2"	42	74	15	54	27	9	0,26
20	3/4"	50	81	19	57	33	11	0,38
25	1"	52	99.5	24	57	40	14	0,55
32	1 1/4"	55	117	30	71	49	14,5	0,75
40	1 1/2"	59	129	34	71	55	16	0,99
50	2"	71	150.5	42	78	68	18	1,51
65	2 1/2"	81	162	54	127	76	18	2.62
80	3"	98	193	68	129.5	80	21	3.76
100	4"	121	227,5	82	129.5	85	28	3.95

WORKING CONDITIONS

Maximum working pressure : 20 bar.
Maximum temperature : -10°C/+100°C.

Pressure test according to standards
EN 12266-1, DIN 3230, BS 5154 and ISO 5208 :
Body : 30 bar.
Seat : 22 bar.

STANDARDS

BSP threaded according to standard ISO 228-1.

TECOFI France - 83, Rue Marcel Mérieux 69960 Corbas - FRANCE
Tél. +33 (0) 4 72 79 05 79 - Fax +33 (0) 4 78 90 19 19 / +33 (0) 4 72 79 05 70
Adresses e-mail : sales@tecofi.fr ; tecofi@tecofi.fr / Site web : www.tecofi.fr