

PN20 BRONZE GATE VALVE

TECHNICAL PASSPORT

NON RISING STEM METAL SEAT PN20 GATE VALVE - BRONZE BODY

V 2143W

APPLICATION

Disconnection of flow in fluid transfer networks.

Area of use: Industrial installation, central heating, air conditioning, water transfer networks, water supply, irrigation, etc.



Fluids: water, drinking water, discharges.

GENERAL CHARACTERISTICS

Range: from DN 1/2" to DN 4".

Non-rising type gate valve

Full bore, low pressure loss.

Metal/metal sealing.

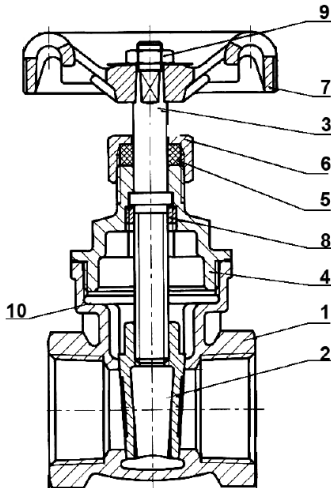
Female/female threaded connection BSPP according to ISO 228-1.

Tested in accordance with NF EN12266-1 : 2012.

Operated by hanwheel.



CONSTRUCTION



Pos.	Q-ty	Description	Material	Equivalences		
				DIN	ASTM	BS
1	1	Body	Bronze CuSn5Zn5Pb5-C-C	G-CuSn5PbZn (Rg 5)	B62 C83600	1400 LG2
2	1	Wedge	Bronze CuSn5Zn5Pb5-C-C	G-CuSn5PbZn (Rg 5)	B62 C83600	1400 LG2
3	1	Stem	Brass DZR CW602N			
4	1	Bonnet	Bronze CuSn5Zn5Pb5-C-C	G-CuSn5PbZn (Rg 5)	B62 C83600	1400 LG2
5*	1	Packing/ Ring	PTFE / Brass HPb59-1			
6	1	Glang packing	Brass CW614N			
7	1	Handwheel	Aluminium (1/2" - 2") Cast iron (2" 1/2 - 4")			
8	1	Stem gasket	Brass DZR CW602N			
9	1	Nut	Brass CW614N			
10	1	Gasket	PTFE (3" - 4")			

PRODUCT APPROVALS



Certificat WRAS n° 2310146

Tecofi France

83 rue Marcel Mérioux - 69960 Corbas

Tél. +33 (0)4 72 79 05 79 - Fax. +33 (0)4 78 90 19 19

E-mail : sales@tecofi.fr - www.tecofi.fr

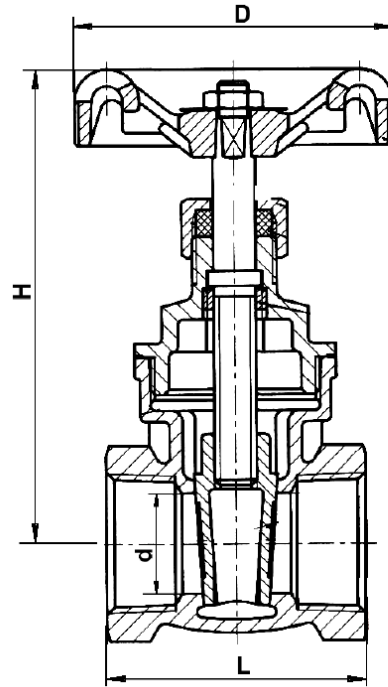


PN20 BRONZE GATE VALVE

TECHNICAL PASSPORT

V 2143W

DIMENSIONS



DN		L	H	d	Number of turns for closing	Weight (kg)
mm	inch					
15	1/2"	43	78	13	4	0.254
20	3/4"	49	88	19	5	0.353
25	1"	54	103	25	6.5	0.521
32	1 1/4"	62	116	32	8.5	0.766
40	1 1/2"	65	133	38	9.5	1.065
50	2"	75	156	50	-	1.612
65	2 1/2"	87	190	63	-	2.966
80	3"	105	215	76	-	4.777
100	4"	124	258	100	-	8.608

WORKING CONDITIONS

Maximum working pressure : 20 bar (from 0°C to 120°C)
16 bar (for temperatures above to 120°C)

Maximum working temperature : -10°C / + 170°C

Tecofi France

83 rue Marcel Mérieux - 69960 Corbas
Tél. +33 (0)4 72 79 05 79 - Fax. +33 (0)4 78 90 19 19
E-mail : sales@tecofi.fr - www.tecofi.fr

