

Ref. : SR 2140.pas

Rev. : E

Date : 04/09/2020

Page : 1/1

# FREE LEAKAGE SAFETY VALVE

## SR 2140



### APPLICATION

General use : air, non-hazardous gaseous fluids, etc.

### GENERAL CHARACTERISTICS

- From DN 1/4" to DN 2".
- PN 16.
- Brass body and connection.
- Male/male connection.

### CONSTRUCTION

7	Lock nut	Brass
6	Control nut	Brass
5	Spring	Cadmium plated steel
4	Poussoir	Brass
3	Disc	Brass
2	Seat	Brass
1	Body	Brass
Pos.	Description	Material



### DIMENSIONS

DN		A	H	Weight (kg)
mm	inch			
8	1/4"	26	89	0.155
10	3/8"	26	91	0.155
15	1/2"	28	94	0.160
20	3/4"	40	118	0.375
25	1"	49	128	0.525
32	1" 1/4	62	145	1.040
40	1" 1/2	68	155	1.350
50	2"	79	190	2.020

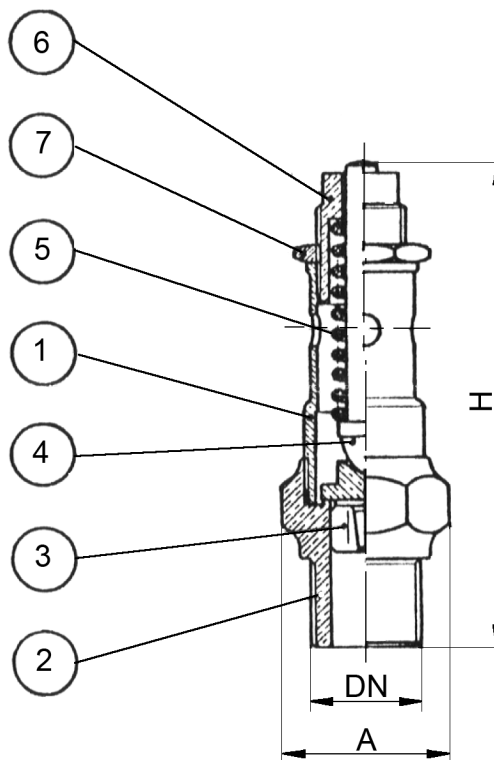
### WORKING CONDITIONS

Maximum working pressure : 16 bar  
 Maximum temperature : -10°C / + 180°C

Test procedures are established according to standards EN 12266-1, DIN 3230, BS 5154 and ISO 5208 :  
 Body : 24 bar.

### STANDARDS

BSP threaded according to standard ISO 228-1.



The photographs and technical art works are not contractual. The specifications of the presented products are open to modifications without previous advice