

Ref. : SR 1103.pas

Rev. : Initial

Date : 22/10/2007

Page : 1/1

SAFETY VALVE WITH PRESSURE GAUGE

SR 1103



Tecofi
VALVE DESIGNER - FRANCE

APPLICATION

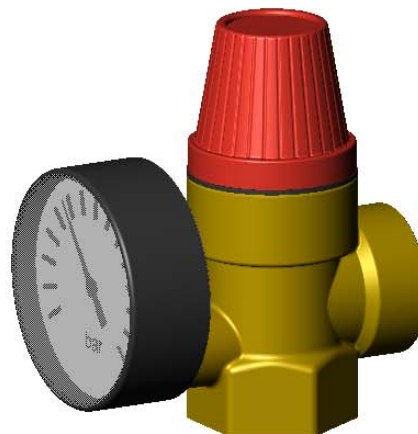
- General use : air, water, heating systems, sanitary balloons of water, hydraulic plants.

GENERAL CHARACTERISTICS

- DN 1/2"-3/4".
- Brass body and cover.
- Female/female connection.

CONSTRUCTION

9	1	Pressure gauge		
8	2	Disc	Steel	
7	1	Spring	Steel	
6	1	Control spindle	Brass	
5	1	Obturator	EPDM	
4	1	Diaphragm	EPDM	
3	1	Adjustment plug	ABS	
2	1	Cover	Brass CW617N	DIN : CuZn40Pb2 ASTM : C37700 BS : CZ122
1	1	Body	Brass CW617N	DIN : CuZn40Pb2 ASTM : C37700 BS : CZ122
Pos.	Qty.	Description	Material	



DIMENSIONS

DN	H1	H2	L1	L2	L3
1/2"	72,0	21,5	25,5	61	24
3/4"	74,5	24,0	27,5	61	24

WORKING CONDITIONS

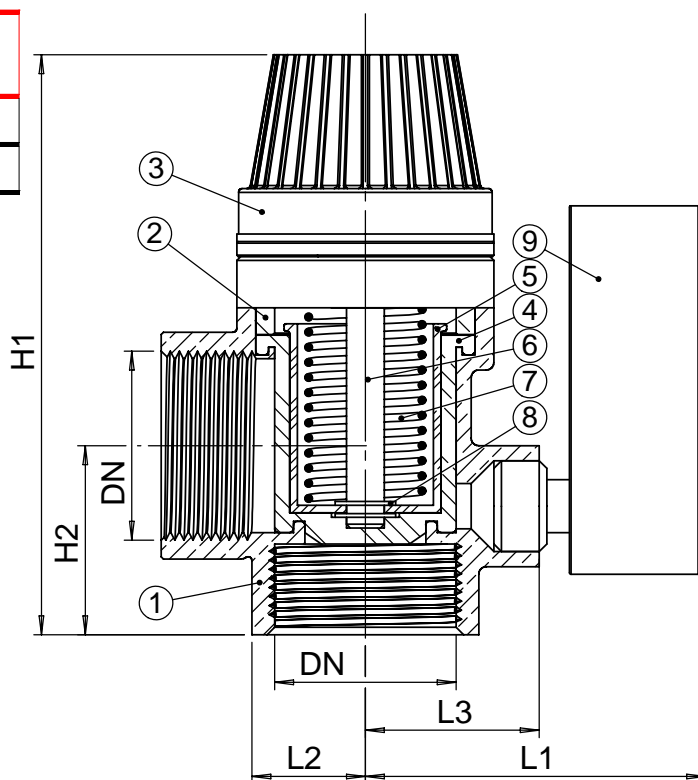
T max : + 110 °C

Test procedures are established according to standard EN 12266-1, DIN 3230, BS 5154 and ISO 5208 :
- Body : 15 bar.

Calibration pressure : 3 bar
Nominal flow pressure : 3,6 bar
Closing pressure : 2,55 bar

STANDARDS

BSP threaded according to standard ISO 228-1.



TECOFI France - 83, Rue Marcel Mérieux 69960 Corbas - FRANCE
Tél. +33 (0) 4 72 79 05 79 - Fax +33 (0) 4 78 90 19 19 / +33 (0) 4 72 79 05 70
Adresses e-mail : sales@tecofi.fr ; tecofi@tecofi.fr / Site web : www.tecofi.fr