

Ref. : SD 5269

Rev. : A

Date : 05/11/2018

Page : 1/1

FLANGED PN40 QUICK RELIEF VALVE

SD 5269



APPLICATION

General use : protection of main pipe lines from water hammer.

GENERAL CHARACTERISTICS

From DN50 to DN200.

The relief valve assures the evacuation of large quantities of fluid when the system pressure exceeds a critical value defined in advance.

Epoxy coating, thickness 200 microns.

Adjusting screw in galvanized steel.

CONSTRUCTION

11	Bolt	Stainless steel A2
10	Nut	Stainless steel A2
9	Nut	Bronze
8	Spring	Steel DIN 17223
7	Plate	Steel
6	Spring cap	Steel
5	Deflector	Steel
4	Cover	Steel
3	Disc	Stainless steel
2	Nozzle	Stainless steel
1	Flange	Steel
Pos.	Description	Material

DIMENSIONS

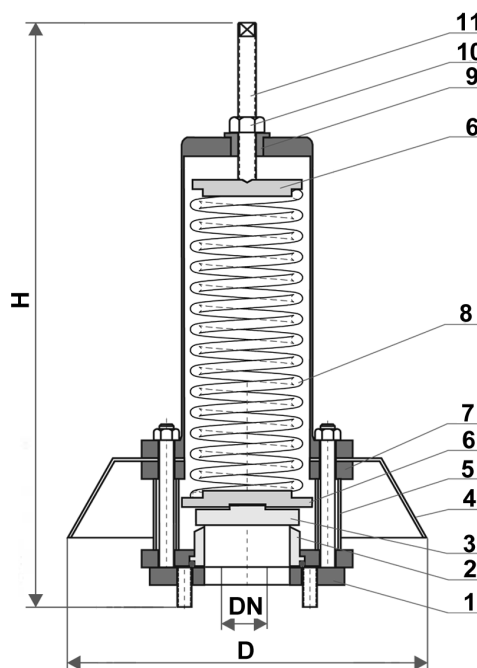
DN	D	H	Weight (kg)
50	400	750	28
60-65	400	750	30
80	400	750	32
100	400	750	33
125	470	750	36
150	530	850	71
200	580	850	75

WORKING CONDITIONS

Maximum working pressure: 40 bar.

STANDARDS

Flange connection ISO PN40 according to 1092-1.



FLOW AND PRESSURE RANGES

