

Ref. : SD 5259

Rev. : Initial

Date : 05/11/2018

Page : 1/1

# FLANGED PN25 QUICK RELIEF VALVE

## SD 5259



### APPLICATION

General use : protection of main pipe lines from water hammer.

### GENERAL CHARACTERISTICS

From DN50 to DN200.

The relief valve assures the evacuation of large quantities of fluid when the system pressure exceeds a critical value defined in advance.

Epoxy coating, thickness 200 microns.

Adjusting screw in galvanized steel.

### CONSTRUCTION

11	Bolt	Stainless steel A2
10	Nut	Stainless steel A2
9	Nut	Bronze
8	Spring	Steel DIN 17223
7	Plate	Steel
6	Spring cap	Steel
5	Deflector	Steel
4	Cover	Steel
3	Disc	Stainless steel
2	Nozzle	Stainless steel
1	Flange	Steel
Pos.	Description	Material

### DIMENSIONS

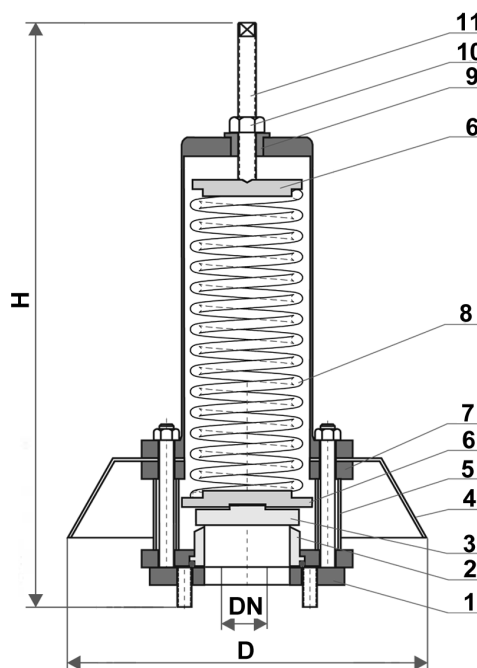
DN	D	H	Weight (kg)
50	400	750	28
60-65	400	750	30
80	400	750	32
100	400	750	33
125	470	750	36
150	530	850	71
200	580	850	75

### WORKING CONDITIONS

Maximum working pressure: 25 bar.

### STANDARDS

Flange connection ISO PN25 according to 1092-1.



### FLOW AND PRESSURE RANGES

