

Ref. : SD 5209

Rev. : B

Date : 01/04/2021

Page : 1/1

FLANGED PN10 QUICK RELIEF VALVE

SD 5209



APPLICATION

General use : protection of main pipe lines from water hammer.

GENERAL CHARACTERISTICS

From DN50 to DN300.

The relief valve assures the evacuation of large quantities of fluid when the system pressure exceeds a critical value defined in advance.

Epoxy coating, thickness 200.

Adjusting screw in stainless steel.

CONSTRUCTION

11	Bolt	Stainless steel
10	Nut	Stainless steel
9	Nut	Bronze
8	Spring	Steel DIN 17223
7	Plate	Steel
6	Spring cap	Steel
5	Deflector	Steel
4	Cover	Steel
3	Disc	Stainless steel
2	Nozzle	Stainless steel
1	Flange	Steel
Pos.	Description	Material

DIMENSIONS

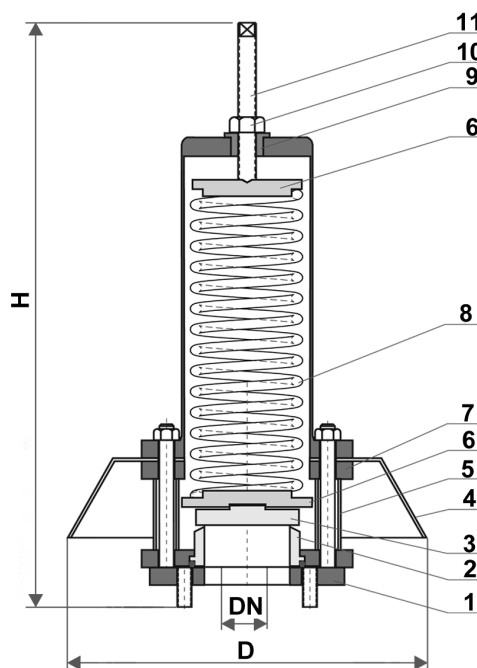
DN	D	H	Weight (kg)
50	400	750	28
60-65	400	750	30
80	400	750	32
100	400	750	33
125	470	750	36
150	530	850	71
200	600	850	150
250	600	950	210
300	700	950	290

WORKING CONDITIONS

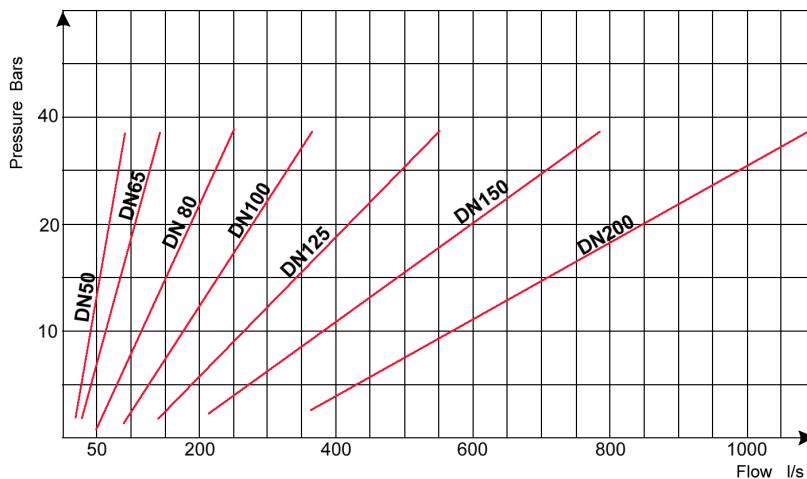
Maximum working pressure: 10 bar.

STANDARDS

Flange connection ISO PN10 according to 1092-1.



FLOW AND PRESSURE RANGES



The photographs and technical art works are not contractual. The specifications of the presented products are open to modifications without previous advice