

Ref. : RP6190NPT.pas

Rev. : Initial

Date : 03/11/2008

Page : 1/1

BSP FEMALE / FEMALE NEEDLE VALVES

RP6190NPT



APPLICATION

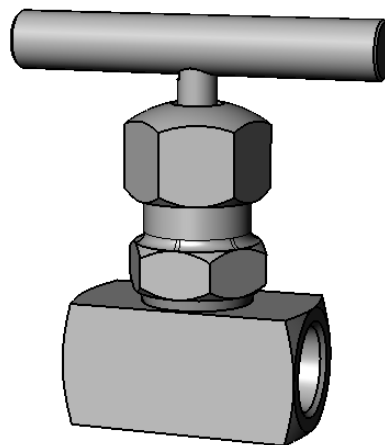
General use : for all kind of fluids.

GENERAL CHARACTERISTICS

From DN 1/4" to DN 1".
NPT female connections.

CONSTRUCTION

5	1	Packing	PTFE	
4	1	Packing gland	Stainless steel 316	DIN: X5CrNiMo18 10 ASTM: A182 AISI 316 BS: 970 316 S16
3	1	Stem	Stainless steel 316	DIN: X5CrNiMo18 10 ASTM: A182 AISI 316 BS: 970 316 S16
2	1	Chapeau	Stainless steel 316	DIN: X5CrNiMo18 10 ASTM: A182 AISI 316 BS: 970 316 S16
1	1	Corps	Stainless steel 316	DIN: X5CrNiMo18 10 ASTM: A182 AISI 316 BS: 970 316 S16
Pos.	Qty.	Description	Material	



DIMENSIONS

DN		L	H	Weight (kg)
mm	inch			
8	1/4"	44	63	0,27
12	3/8"	50	65	0,32
15	1/2"	60	84	0,54
20	3/4"	65	85	0,66
25	1"	82	95	1,39

WORKING CONDITIONS

Maximum working pressure: 400 bar.
Maximum temperature: + 180°C.

AGREEMENT AND TESTING

NPT threaded.

