

Ref. : RP 1105.pas

Rev. : C

Date : 02/08/2011

Page : 1/1

# DRAIN BALL VALVE

## RP 1105



**Tecofi**   
VALVE DESIGNER - FRANCE

### APPLICATION

- General use : water distribution networks.

### GENERAL CHARACTERISTICS

- From DN 1/2" to DN 1".  
- Steel handle with breeze jet.

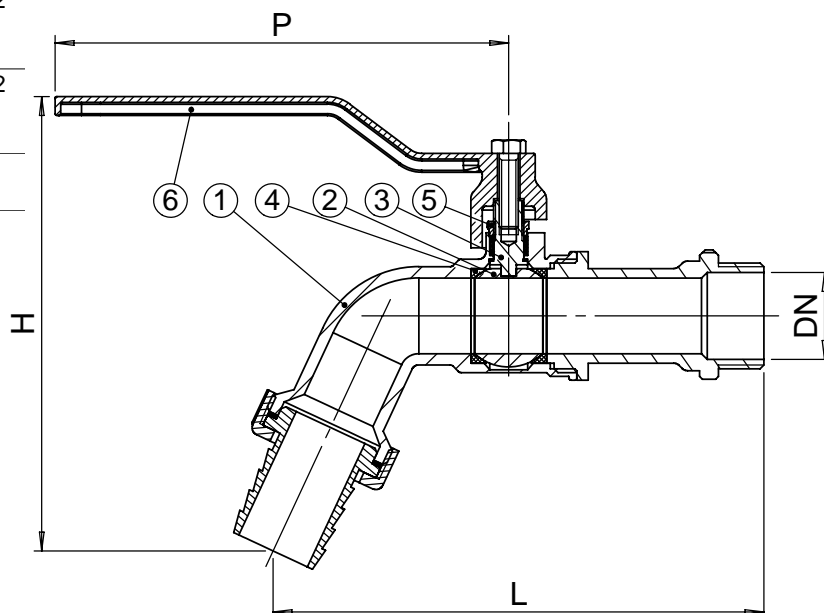
### CONSTRUCTION

6	1	Handle	Steel	
5	1	Packing gland	PTFE	
4	2	Seat	PTFE	
3	1	Stem	Brass	
2	1	Ball	Brass	DIN : CuZn39Pb2 ASTM : C37700 BS : CZ121
1	1	Body	Brass	DIN : CuZn39Pb2 ASTM : C37700 BS : CZ121
<b>Pos.</b>	<b>Qty.</b>	<b>Description</b>	<b>Material</b>	



### DIMENSIONS

DN		L	H	P	Weight (kg)
mm	inch				
15	1/2"	90	86,5	84	0,30
20	3/4"	102	93,0	84	0,34
25	1"	124	110	98	0,38



### WORKING CONDITIONS

PS max : 16 bar  
T max : + 60 °C

Test procedures are established according to standards  
EN 12266-1, DIN 3230, BS 5154 and ISO 5208 :  
Body : 24 bar.

### STANDARDS

BSP male threaded according to standard ISO 228-1.