

Ref. : RC 7250.pas

Rev. : Initial

Date : 12/09/06

Page : 1/1

# REGULATION AND COMMISSIONING UNIT PN25

## RC 7250



**Tecofi**  
VALVE DESIGNER - FRANCE

### APPLICATION

General use : Isolation, regulation and commissioning.

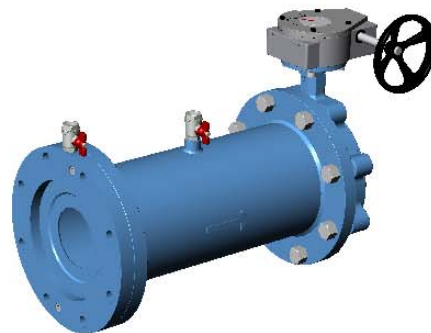
### GENERAL CHARACTERISTICS

Range : from DN 80 to DN 400.

Less height.

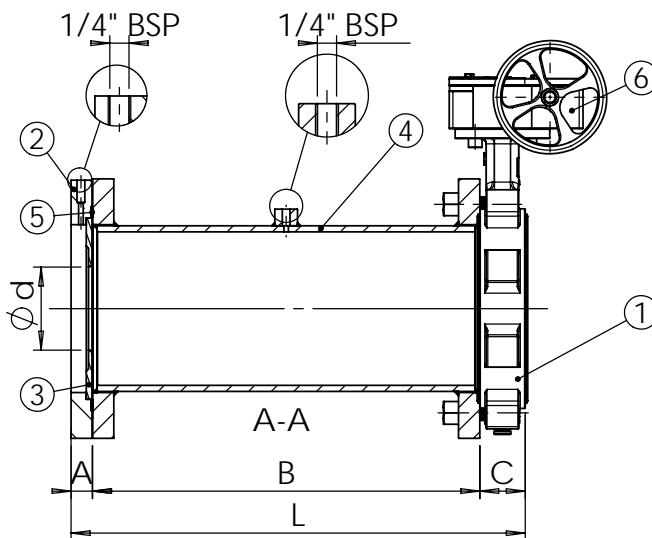
Less weight.

No flange gasket required.



### CONSTRUCTION

| 8    | 2    | Ball valve                    | Brass                             | 1/4" BSP M/F   |
|------|------|-------------------------------|-----------------------------------|--|
| 7    | 1    | Flow indicator                | AISI 304                          |  |
| 6    | 1    | Gear box                      |                                   |  |
| 5    | 1    | Gasket                        | Fiber                             |  |
| 4    | 1    | Compensation sleeve           | Steel E 24-2                      | Oven backed epoxy coated RAL 5019                        |
| 3    | 1    | Diaphragm                     | Steel E 24-2                      | Oven backed epoxy coated RAL 5019                        |
| 2    | 1    | Upstream flange               | Steel E 24-2                      | Oven backed epoxy coated RAL 5019                        |
| 1    | 1    | Threaded lugs butterfly valve | Ductile iron EN-GJS-400-15 (Body) | DIN: GGG 40<br>ASTM: A536 65-45-12<br>BS: 1563 EN-JS1030 |
| Pos. | Qty. | Description                   | Material                          |  |



### DIMENSIONS

| DN  |      | A  | B   | C  | Ø D  | E   | H   | L   | Ø d  | Ø K  | n x Ø M  | Ø V  |
|-----|------|----|-----|----|------|-----|-----|-----|------|------|----------|------|
| mm  | inch |    |     |    |      |     |     |     |      |      |          |      |
| 80  | 3"   | 24 | 240 | 48 | Ø190 | 148 | 205 | 310 | Ø42  | Ø160 | 8 x Ø19  | Ø150 |
| 100 | 4"   | 24 | 274 | 54 | Ø229 | 148 | 230 | 350 | Ø53  | Ø190 | 8 x Ø23  | Ø150 |
| 150 | 6"   | 30 | 400 | 59 | Ø279 | 148 | 290 | 486 | Ø81  | Ø250 | 8 x Ø28  | Ø300 |
| 200 | 8"   | 28 | 456 | 73 | Ø343 | 238 | 335 | 544 | Ø110 | Ø310 | 12 x Ø28 | Ø300 |
| 250 | 10"  | 30 | 572 | 83 | Ø406 | 238 | 370 | 670 | Ø143 | Ø370 | 12 x Ø31 | Ø300 |
| 300 | 12"  | 32 | 676 | 92 | Ø483 | 238 | 445 | 786 | Ø177 | Ø430 | 16 x Ø31 | Ø300 |
| 350 | 14"  |    |     |    |      |     |     |     |      |      |          |      |
| 400 | 16"  |    |     |    |      |     |     |     |      |      |          |      |

Available on request

### WORKING CONDITIONS

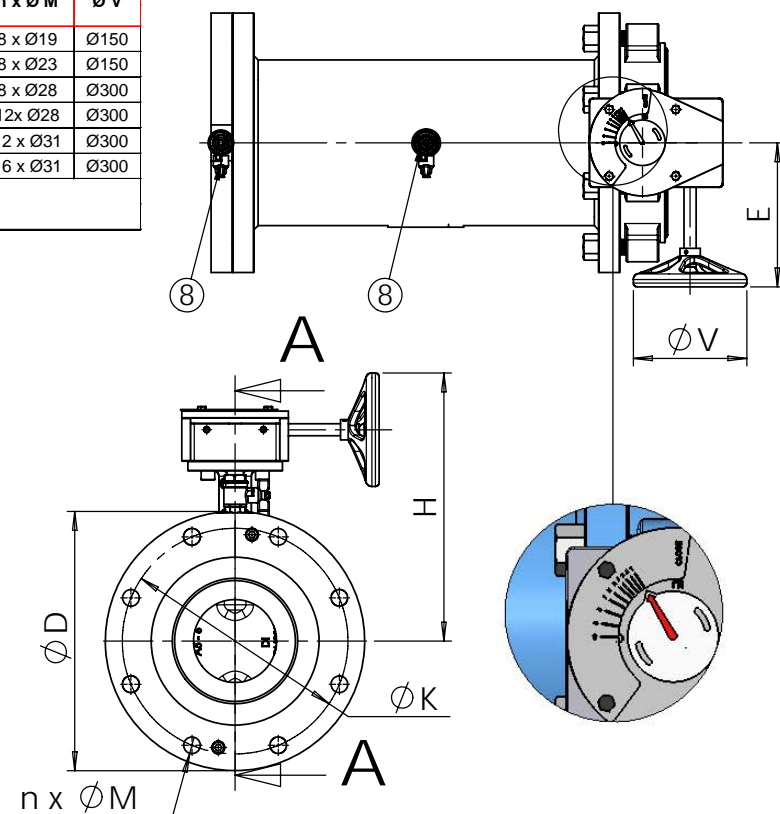
Maximum working pressure : 25 bar.  
Maximum temperature : - 20°C / + 110°C.

### STANDARDS

Pressure test according to standards  
EN 12266-1, DIN 3230, BS 6755 and ISO 5208 :

Body : 37,5 bar.  
Seat : 27,5 bar.

Flanges drilled according to EN 1092-1: ISO PN25.



**TECOFI France** - 83, Rue Marcel Mérieux 69960 Corbas - FRANCE  
Tél. +33 (0) 4 72 79 05 79 - Fax +33 (0) 4 78 90 19 19 / +33 (0) 4 72 79 05 70  
Adresses e-mail : sales@tecofi.fr ; tecofi@tecofi.fr / Site web : [www.tecofi.fr](http://www.tecofi.fr)