

Ref. : RC 2106.pas

Rev. : C

Date : 18/09/2015

Page : 1/1

BSP THREADED BRONZE BALANCING VALVE PN20

RC 2106



APPLICATION

The balancing valves are designed to realize exact regulations on heating and cooling systems.
The entire threaded balancing valves RC 2106 range allows the fitter to measure the head losses and to control the installation flows with two instantaneous test points.

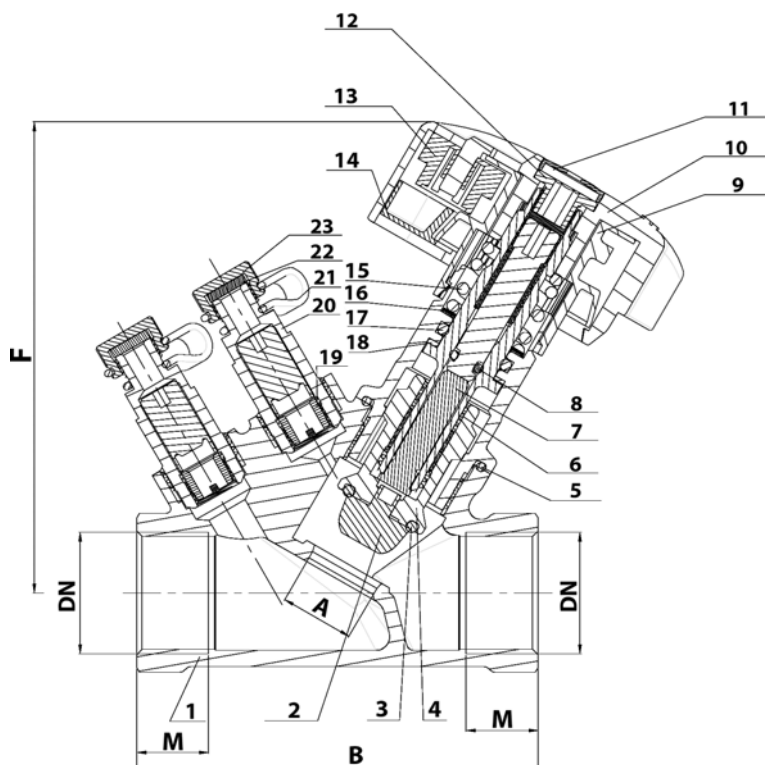
GENERAL CHARACTERISTICS

The proposed valves have an oblique seat which offers a good adjustment precision and a resistance lower than the valves with a straight seat: head losses are small, flow more important for a same DN leads.
Mounting on pipes is preferred direction indicated by an arrow on the body.
The balancing valve can be used as a « stop valve ».
A thrust allows memorizing the valve adjustment, without disturbing the closure.



CONSTRUCTION

23	Nut	Brass
22	Rubber gasket	EPDM
21	Chain	ABS red or blue
20	Nozzle core	Brass
19	Press gasket	Brass
18	Down filling	PTFE
17	O ring	EPDM
16	Up filling	PTFE
15	Spring	Inox
14	Cover	ABS
13	Gear wheel A	POM
12	Screw	Brass
11	Nameplate	POM
10	Handle wheel	POM
9	Gear wheel B	POM
8	O ring	EPDM
7	Pin	Brass
6	Stem	Brass
5	O ring	EPDM
4	Catridge	Brass
3	O ring	EPDM
2	Disc	Brass CW602N
1	Body	Bronze C83600
Pos.	Description	Material



DIMENSIONS

DN		A	B	M	F	Weight (kg)
mm	inch					
15	1/2"	12	80	13	100	0.58
20	3/4"	16	86.5	14.5	102	0.66
25	1"	18.5	105	21	105	0.88
32	1 1/4"	27	123.5	23	110	1.07
40	1 1/2"	33	125	23	120	1.45
50	2"	45	144	25	127	1.97

WORKING CONDITIONS

Maximum working pressure : 20 bar.
Maximum working temperature : - 25°C / + 110°C.

Test pressure according to EN 12266-1, DIN 3230, BS 5154 and ISO 5208 :

Body : 30 bar.
Seat : 22 bar.

STANDARDS

BSP threaded connection according to ISO 228-1.

TECOFI France - 83, Rue Marcel Mérieux 69960 Corbas - FRANCE
Tél. +33 (0) 4 72 79 05 79 - Fax +33 (0) 4 78 90 19 19 / +33 (0) 4 72 79 05 70
Adresses e-mail : sales@tecofi.fr ; tecofi@tecofi.fr / Site web : www.tecofi.fr