

Ref. : RC 1140 pas

Rev. : A

Date : 23/12/2016

Page : 1/1

SLANTED GLOBE VALVE PN16

RC 1140



Tecofi'
VALVE DESIGNER - FRANCE

APPLICATION

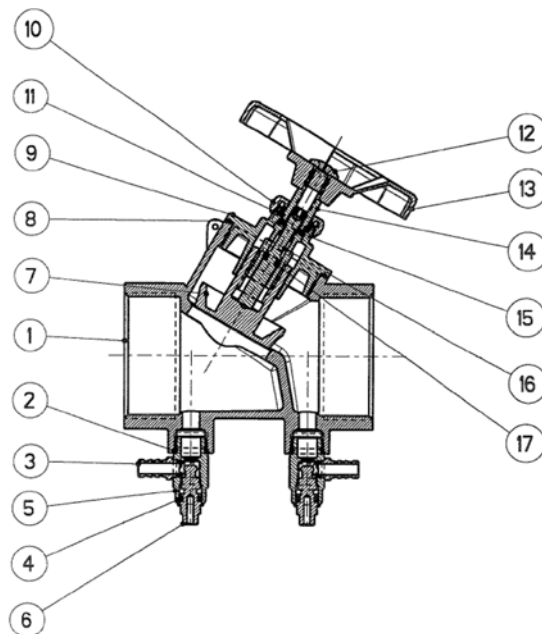
General use : for heating.

GENERAL CHARACTERISTICS

From DN 1/2" to DN 2".
The flow direction is indicated by an arrow on the body.
Micrometrical rating.
Flap perforated for lead sealing on the body.
Brass body and drain.
Female threaded BSP cylindric.

CONSTRUCTION

17	O ring	NBR
16	Internal stem	Brass CW 614N according to EN 12164
15	O ring	NBR
14	Stem	Brass CW 614N according to EN 12164
13	Hanwheel	Aluminium
12	Screw	Steel
11	Packing	PTFE
10	Nut setting	Brass CW 614N according to EN 12164
9	Bonnet	Brass CW 617N according to EN 12165
8	Gasket	PTFE
7	Obturator	Brass CW 614N according to EN 12164
6	Plug	Brass CW 614N according to EN 12164
5	Drain	Brass CW 614N according to EN 12164
4	O ring	NBR
3	Hose	Brass CW 614N according to EN 12164
2	O ring	NBR
1	Body	Brass CW 617N according to EN 12165
Pos.	Description	Material



DIMENSIONS

DN		L	L2	H	H1	ØV	Weight (kg)
mm	inch						
15	1/2"	62	28	65,5	46,4	60	0,210
20	3/4"	66	28	66,8	48,4	60	0,270
25	1"	80	33	82,4	52,4	60	0,430
32	1"1/4	91	42	93,8	56,9	75	0,760
40	1"1/2	97	45	98,8	61,9	75	0,890
50	2"	125	57	112,5	65,5	75	1,480

WORKING CONDITIONS

Maximum working temperature : -10°C / +110°C.

Maximum working pressure: 16 bar.

STANDARDS

Fabrication according to ISO 9001 : 2000.
Threaded female BSP cylindric according to ISO 228/1.

French water agreement ACS n° 08 ACC PA 020

