

Ref. : RAS5863NPT

Rev. : Initial

Date : 14/01/2015

Page : 1/1

# FORGED STEEL GLOBE VALVE BOLTED BONNET 1500LBS

## RAS 5863NPT



# Tecofi

VALVE DESIGNER - FRANCE

### APPLICATION

General use: Petroleum industry, steam, high pressure.

### GENERAL CHARACTERISTICS

Respect the flow direction ( indicated by the arrow )  
Standard bore  
Rising rotating stem (OS&Y)  
Bolted bonnet  
Bolted gland pack  
Forged carbon steel ASTM A350 LF2  
1/2 stellite ( Trim 12 )  
1500 lbs

### CONSTRUCTION

16	Handwheel nut	Carbon steel
15	ID plate	Aluminium
14	Handwheel	Carbon steel
13	Yoke nut	Steel ASTM A473 type 416
12	Gland nut	Steel ASTM A194 Gr.4
11	Gland flange	ASTM A182 F6a CI 2
10	Packing tie rod	ASTM A320 L7
9	Gland	UNS S31600/S31603
8	Packing	Graphite
7	Screw	Steel ASTM A320 L7
6	Stem	Stainless steel ASTM A479 316/316L
5	Bonnet	ASTM A350 LF2
4	Gasket	Stainless steel 316 + graphite spiral
3	Seat	ASTM A479 S31600/S31603 Stellite
2	Disc	Stainless steel ASTM A182 316/316L
1	Body	ASTM A350 LF2
Pos.	Description	Material

### DIMENSIONS

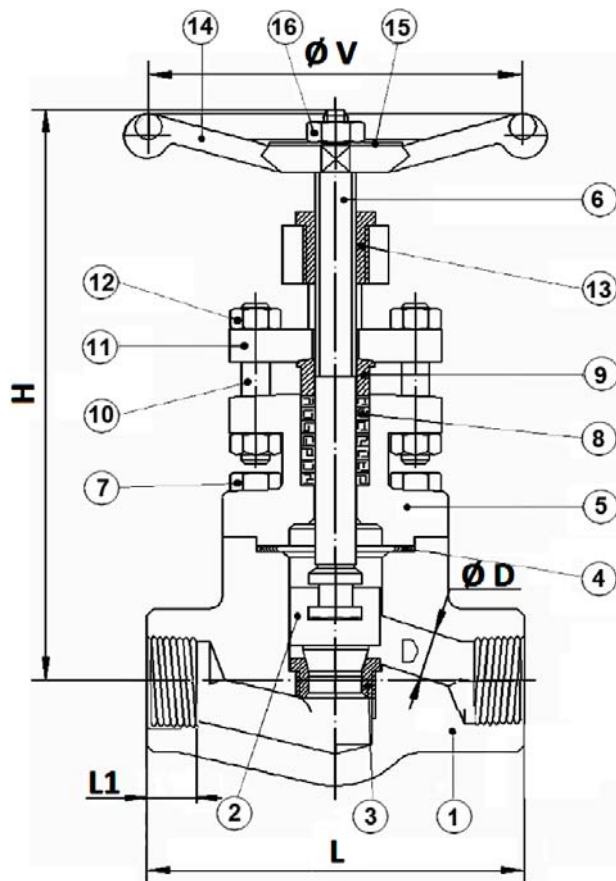
DN		L	H (opened)	ØD	ØV	L1	Weight (kg)
mm	inch						
15	1/2"	90	160	9	80	15	2.2
20	3/4"	110	175	13	110	18	3.9
25	1"	127	210	17	130	19	6
32	1 1/4"	155	244	21	130	20	8
40	1 1/2"	170	250	28	180	21	12
50	2"	210	360	35	180	21	20

### WORKING CONDITIONS

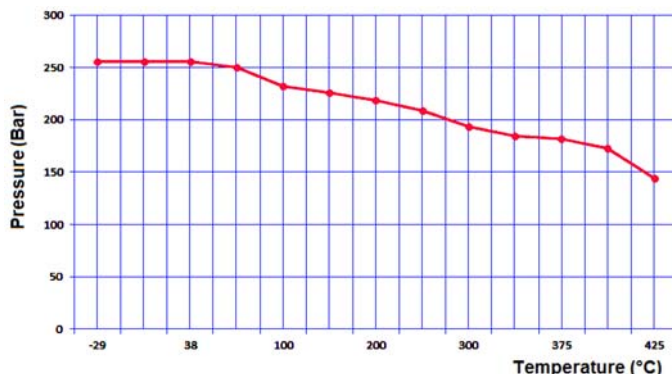
Maximum working pressure : 250 bar.  
Maximum working temperature : -46°C/+425°C.

### STANDARDS

Fabrication according to **ISO 9001 : 2008**  
DIRECTIVE 2014/68/UE  
Risk category III module H  
Designing according to **ISO 15761** and **API 602** 8th  
Tests according to **API 598**  
Approval certificate Russian Federation **GOST-R**  
Valves approved by the main oil industries  
ATEX Group II Category 2 G/2D Zone 1 & 21 Zone 2 & 22  
Threaded female NPT ends according to **ANSI B1.20.1**



### PRESSURE / TEMPERATURE GRAPH



**TECOFI France** - 83, Rue Marcel Mérieux 69960 Corbas - FRANCE  
Tél. +33 (0) 4 72 79 05 79 - Fax +33 (0) 4 78 90 19 19 / +33 (0) 4 72 79 05 70  
Adresses e-mail : sales@tecofi.fr ; tecofi@tecofi.fr / Site web : [www.tecofi.fr](http://www.tecofi.fr)

The photographs and technical art works are not contractual. The specifications of the presented products are open to modifications without previous advice.