

Ref. : RAS5843INPT

Rev. : Initial

Date : 14/01/2015

Page : 1/1

FORGED GLOBE VALVE BOLTED BONNET 800LBS

RAS 5843INPT



APPLICATION

General use: Petroleum industry, steam, high pressure.

GENERAL CHARACTERISTICS

Respect the flow direction (indicated by the arrow)

- Full bore
- Rising rotating stem (OS&Y)
- Bolted bonnet
- Bolted gland pack
- Forged carbon steel ASTM A350 LF2
- 1/2 stellite (Trim 12)
- 800 lbs

CONSTRUCTION

16	Handwheel nut	Carbon steel
15	ID plate	Aluminium
14	Handwheel	Carbon steel
13	Yoke nut	Steel ASTM A473 type 416
12	Gland nut	Steel ASTM A194 Gr.4
11	Gland flange	ASTM A182 F6a CI 2
10	Packing tie rod	ASTM A320 L7
9	Gland	UNS S31600/S31603
8	Packing	Graphite
7	Screw	Steel ASTM A320 L7
6	Stem	Stainless steel ASTM A479 316/316L
5	Bonnet	ASTM A350 LF2
4	Gasket	Stainless steel 316 + graphite spiral
3	Seat	ASTM A479 S31600/S31603 Stellite
2	Disc	Stainless steel ASTM A182 316/316L
1	Body	ASTM A350 LF2
Pos.	Description	Material

DIMENSIONS

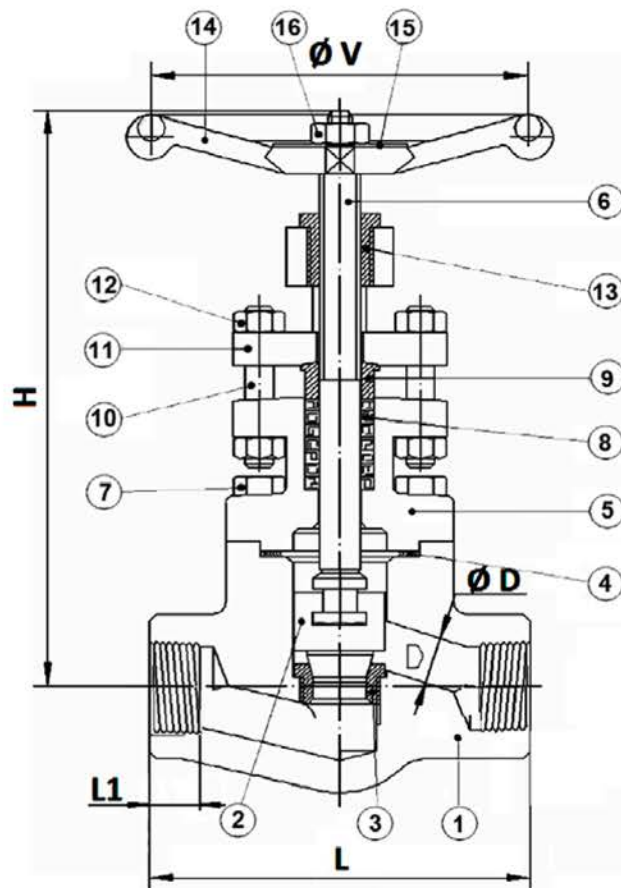
DN		L	H (opened)	ØD	ØV	L1	Weight (kg)
mm	inch						
15	1/2"	90	165	13	80	15	2.3
20	3/4"	110	180	17.5	110	18	3.6
25	1"	127	213	22.5	130	19	5.5
32	1"1/4	155	248	29.5	130	20	7.5
40	1"1/2	170	282	35	180	21	11.6
50	2"	210	370	45.5	180	21	22

WORKING CONDITIONS

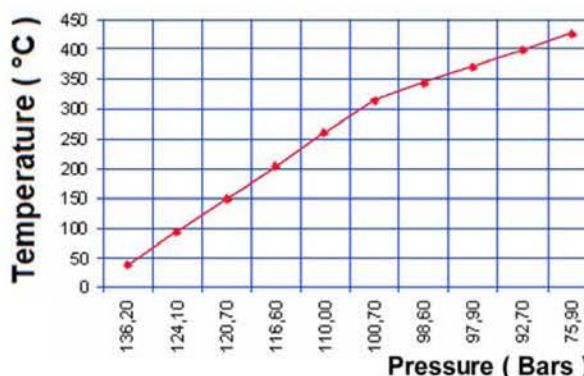
Maximum working pressure : 138 bar.
Maximum working temperature : -46°C/+425°C.

STANDARDS

Fabrication according to **ISO 9001 : 2008**
DIRECTIVE 2014/68/UE
Risk category III module H
Designing according to **ISO 15761** and **API 602** 8th
Tests according to **API 598**
Approval certificate Russian Federation **GOST-R**
Valves approved by the main oil industries
ATEX Group II Category 2 G/2D Zone 1 & 21 Zone 2 & 22
Threaded female NPT ends according to **ANSI B1.20.1**



PRESSURE / TEMPERATURE GRAPH



The photographs and technical art works are not contractual. The specifications of the presented products are open to modifications without previous advice.