

Ref. : RAS5743NPT

Rev. : Initial

Date : 13/01/2015

Page : 1/1

# FORGED GLOBE VALVE WELDED BONNET 800LBS

## RAS 5743NPT



### APPLICATION

General use: Petroleum industry, steam, high pressure.

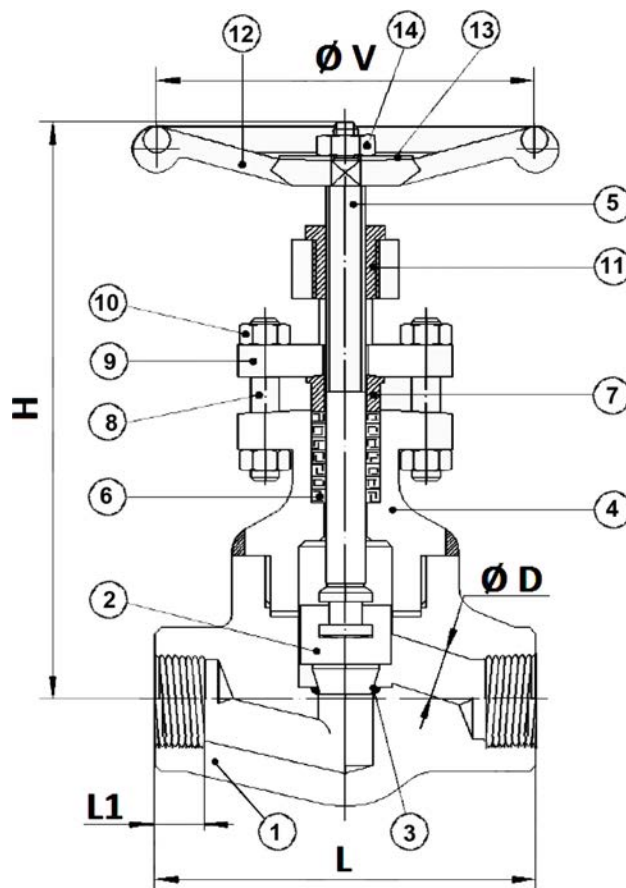
### GENERAL CHARACTERISTICS

Respect the flow direction ( indicated by the arrow )  
Standard bore  
Rising rotating stem (OS&Y)  
Welded bonnet  
Bolted gland pack  
Forged carbon steel A105N  
Full stellite ( Trim 5 )  
800 lbs



### CONSTRUCTION

14	Handwheel nut	Carbon steel
13	ID plate	Aluminium
12	Handwheel	Carbon steel
11	Yoke nut	Steel ASTM A473 type 416
10	Gland nut	Steel ASTM A194 2H
9	Gland flange	Steel ASTM A105
8	Packing tie rod	UNS S41000
7	Gland	UNS S41000
6	Packing	Graphite
5	Stem	SS ASTM A276 type 410
4	Bonnet	Steel ASTM A105N
3	Seat	Stellite GR. 6'
2	Disc	Steel ASTM A182 F6a stellite
1	Body	Steel ASTM A105N
Pos.	Description	Material



### DIMENSIONS

DN		L	H (opened)	ØD	ØV	L1	Weight (kg)
mm	inch						
15	1/2"	80	148	9	80	15	1.7
20	3/4"	90	135	13	80	18	2.3
25	1"	110	180	17.5	110	19	3.6
32	1 1/4"	127	213	22.5	130	20	5.5
40	1 1/2"	155	248	29.5	130	21	7.3
50	2"	170	257	35	180	21	10.5

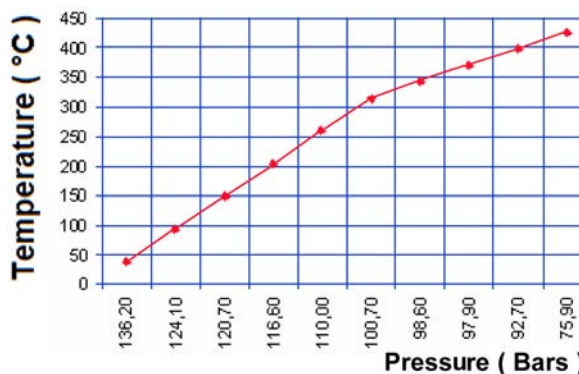
### WORKING CONDITIONS

Maximum working pressure : 136 bar.  
Maximum working temperature : -29°C/+425°C.

### STANDARDS

Fabrication according to **ISO 9001 : 2008**  
DIRECTIVE 97/23/CE  
Risk category III module H  
Designing according to **ISO 15761** and **API 602** 8th  
Tests according to **API 598**.  
Approval certificate Russian Federation **GOST-R**  
Valves approved by the main oil industries  
ATEX Group II Category 2 G/2D Zone 1 & 21 Zone 2 & 22.  
Threaded female NPT ends according to **ANSI B1.20.1**

### PRESSURE / TEMPERATURE GRAPH



**TECOFI France** - 83, Rue Marcel Mérieux 69960 Corbas - FRANCE  
Tél. +33 (0) 4 72 79 05 79 - Fax +33 (0) 4 78 90 19 19 / +33 (0) 4 72 79 05 70  
Adresses e-mail : sales@tecofi.fr ; tecofi@tecofi.fr / Site web : [www.tecofi.fr](http://www.tecofi.fr)