

Ref. : R6150

Rev. : Initial

Date : 26/01/2015

Page : 1/1

STAINLESS STEEL GLOBE VALVE PN16

R 6150



Tecofi
VALVE DESIGNER - FRANCE

APPLICATION

General use: For common fluids.

GENERAL CHARACTERISTICS

Respect the flow direction
(indicated by the arrow)

Rising rotating stem and handwheel

PTFE packing

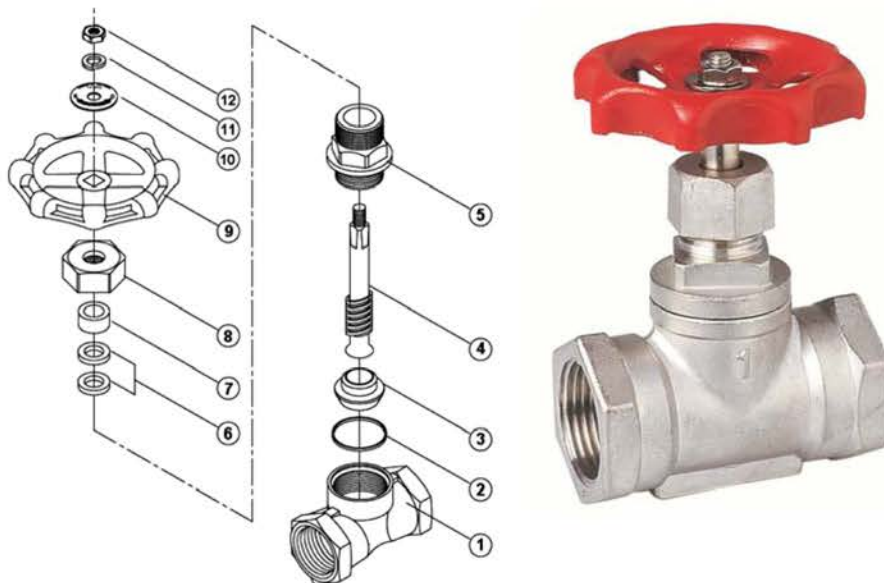
Stainless steel ASTM A351 CF8M body

Reduced bore

Threaded female BSP cylindrical

CONSTRUCTION

12	Nut	Stainless steel 304
11	Washer	Stainless steel 316
10	Name plate	Stainless steel 304
9	Handwheel	Steel
8	Packing nut	Stainless steel ASTM A351 CF8M
7	Packing gland	Stainless steel 304
6	Packing	PTFE
5	Bonnet	Stainless steel 316
4	Stem	Stainless steel 316
3	Disc	Stainless steel 316
2	Body seal	PTFE
1	Body	Stainless steel ASTM A351 CF8M
Pos.	Description	Material



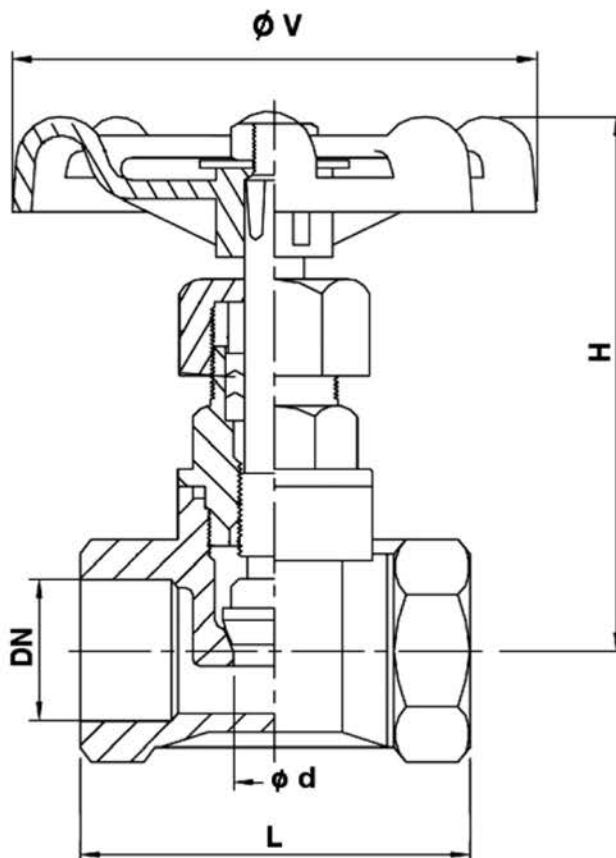
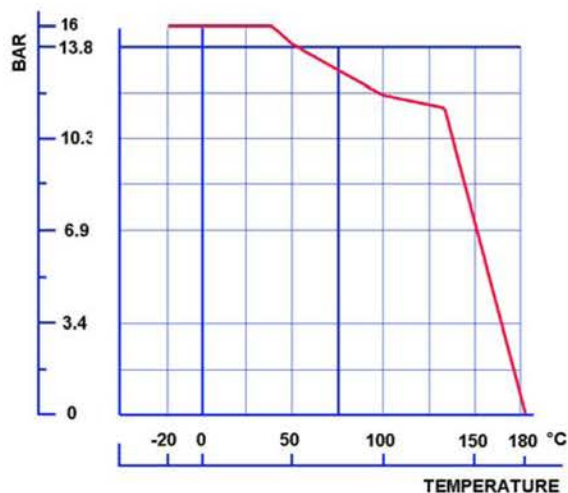
DIMENSIONS

DN	L	H	Ød	ØV	Weight
mm	inch	(opened)			(kg)
15	1/2"	52	79	12	0.26
20	3/4"	60	91	15	0.44
25	1"	72	105	20	0.60
32	1 1/4"	81	127	25	0.96
40	1 1/2"	90	142	32	1.22
50	2"	101	158	40	1.74

WORKING CONDITIONS

Maximum working pressure : 16 bar.

Maximum working temperature : -20°C/+180°C.



STANDARDS

Fabrication according to ISO 9001 : 2008

DIRECTIVE 2014/68/UE : Risk category I module A

Tests according to EN 12266-1, D class

Threaded BSP female cylindrical according to ISO 228-128-1

TECOFI France - 83, Rue Marcel Mérieux 69960 Corbas - FRANCE
Tél. +33 (0) 4 72 79 05 79 - Fax +33 (0) 4 78 90 19 19 / +33 (0) 4 72 79 05 70
Adresses e-mail : sales@tecofi.fr ; tecofi@tecofi.fr / Site web : www.tecofi.fr