

INTERNAL ISOLATION AIR VALVE

TECHNICAL PASSPORT

INTERNAL ISOLATION FLANGED PN16 AIR VALVE - TRIPLE FUNCTION

PVTGD4240

APPLICATION

The buried triple function air valve is intended for use in clear water supply system.

It provides the following functions:

1. Large air evacuation when filling the system piping in start-up.
2. Supply of large quantities of air to the system closure during the purging of the piping.
3. Rejection of pressurized air pockets during operation.



Fluids : clear water, potable water.

GENERAL CHARACTERISTICS

Range : from DN 50 to DN100.

Body with two chambers each containing a float positioned at a defined height. The main float is guided by a ribbed cage depending on the rise in the fluid level. The aerokinetic design of the air valve ensuring excellent stability of the float during air intake or discharge. The second float, fixed by a pin, ensures the good reactivity of the device according to the change in water level. It lets air in / out during operation. The system is equipped with an internal isolation valve, which excludes the installation of an additional shut-off valve upstream of the air valve. Closing this valve makes it easy to carry out maintenance operations. Large discharge and intake capacity. Body coated with epoxy paint (RAL 5005, 250 microns).

STANDARDS

Connection	Flange connection PN16 according to EN1092-2, ISO 7005/2, BS4504.
------------	---

PRODUCT APPROVALS

ERC

Tecofi France

83 rue Marcel Mérieux - 69960 Corbas
Tél. +33 (0)4 72 79 05 79 - Fax. +33 (0)4 78 90 19 19
E-mail : sales@tecofi.fr - www.tecofi.fr

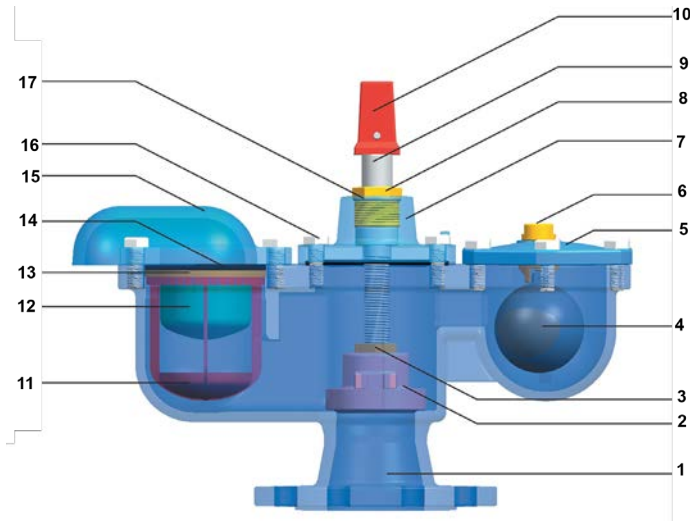


INTERNAL ISOLATION AIR VALVE

TECHNICAL PASSPORT

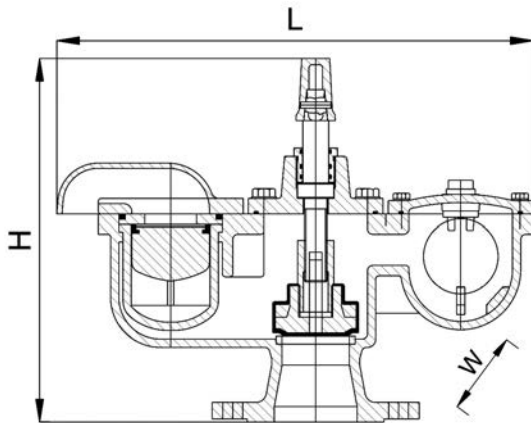
PVTGD4240

CONSTRUCTION



Pos.	Description	Material
1	Body	Ductile iron GGG40
2	Wedge	Ductile iron GGG40 + EPDM
3	Movement nut	Brass
4	Small ball	Polypropylene
5	Small orifice cover	Brass
6	Discharge nut	Brass
7	Middle cover	Ductile iron GGG40
8	Stem nut	Brass
9	Stem	Stainless steel 420 (X20 Cr13)
10	Cap top	Ductile iron GGG40
11	Cage	Polyamid-6
12	Large ball	Polypropylene
13	Orifice	Brass
14	Sealing gasket	EPDM
15	Dust cover	EPDM
16	Screw	Galvanized steel 8.8
17	O-ring	EPDM

DIMENSIONS



DN		L	H	W	Weight (kg)
mm	inch				
50	2"	460	350	200	27
65	2 1/2"	460	350	200	28
80	3"	460	350	200	29
100	4"	530	415	250	52

WORKING CONDITIONS

Maximum working pressure : 16 bar
 Minimum working pressure : 0.2 bar
 Maximum working temperature : -10°C / 80°C

Tecofi France

83 rue Marcel Mérieux - 69960 Corbas
 Tél. +33 (0)4 72 79 05 79 - Fax. +33 (0)4 78 90 19 19
 E-mail : sales@tecofi.fr - www.tecofi.fr

