

FLANGED PN40 DOUBLE CHAMBER AIR VALVE

TECHNICAL PASSPORT

DOUBLE CHAMBER / TRIPLE FUNCTION AIR RELEASE FLANGED PN40

PVT4260

APPLICATION

The double chamber /triple function air valve is intended for use in clear water supply systems.

It provides the following functions:

1. Disposal of large volumes of air during fill of the pipes of system.
2. The supply of large amounts of air to the system closure during purging of the piping
3. Rejection of pressurized air pockets during operation.



Fluids : clear water, potable water.



GENERAL CHARACTERISTICS

Range : from DN40 to DN500.
Body consisting of a chambers containing floats.
Large discharge and intake capacity.
Body coating : epoxy powder paint bonded by electrostatic fusion (RAL 5005, 250 microns).

STANDARDS

Connection	Flange assembling PN40 according to EN1092-2, ISO 7005/2 , BS4504.
------------	--

PRODUCT APPROVALS



Tecofi France

83 rue Marcel Mérieux - 69960 Corbas
Tél. +33 (0)4 72 79 05 79 - Fax. +33 (0)4 78 90 19 19
E-mail : sales@tecofi.fr - www.tecofi.fr

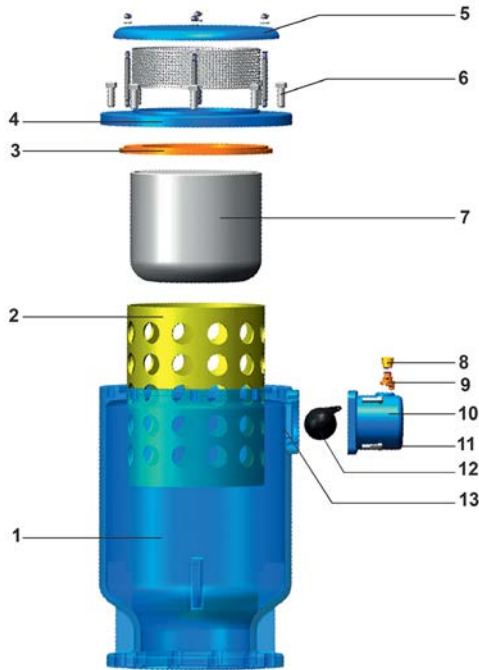


FLANGED PN40 DOUBLE CHAMBER AIR VALVE

TECHNICAL PASSPORT

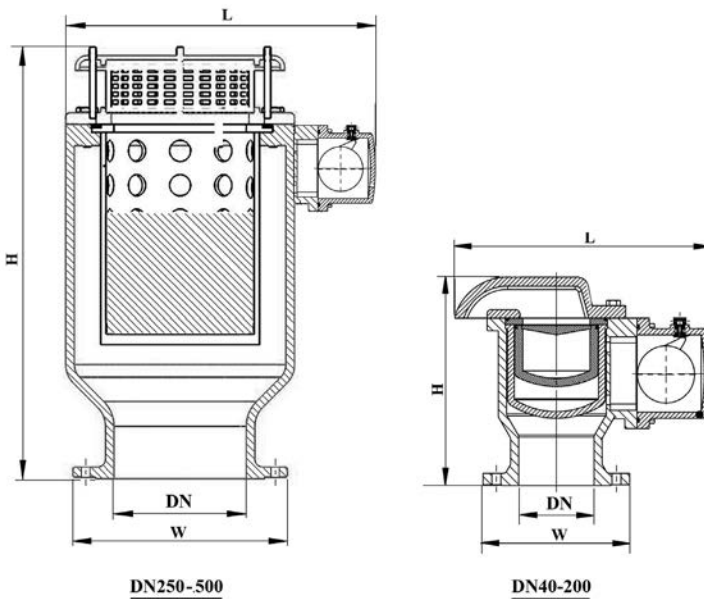
PVT4260

CONSTRUCTION



Pos.	Description	Material
1	Body	Ductile iron GGG40
2	Cage	Polyamid 6
3	Disc	Brass
4	Cover	Ductile iron GGG40
5	Upper cover	Ductile iron GGG40
6	Screw	Galvanized steel 8.8
7	Big ball	Polyethylene
8	Orifice cover	Brass
9	Orifice body	Brass
10	Box	Ductile iron GGG40
11	Screw	Galvanized steel 8.8
12	Ball	Polyethylene
13	Sealing gasket	NBR

DIMENSIONS



DN		L	H	W	Poids (kg)
mm	inch				
40	1 1/2"	325	255	150	17
50	2"	325	260	165	17
65	2 1/2"	325	260	185	21
80	3"	325	260	200	22
100	4"	370	320	235	34
125	5"	370	320	270	35
150	6"	370	320	300	37
200	8"	370	450	375	69
250	10"	580	810	450	187
300	12"	700	975	525	207
350	14"	880	1065	615	435
400	16"	910	1220	700	475
500	20"	1135	1525	880	1035

Tecofi France

83 rue Marcel Mérieux - 69960 Corbas
Tél. +33 (0)4 72 79 05 79 - Fax. +33 (0)4 78 90 19 19
E-mail : sales@tecofi.fr - www.tecofi.fr



FLANGED PN40 DOUBLE CHAMBER AIR VALVE

TECHNICAL PASSPORT

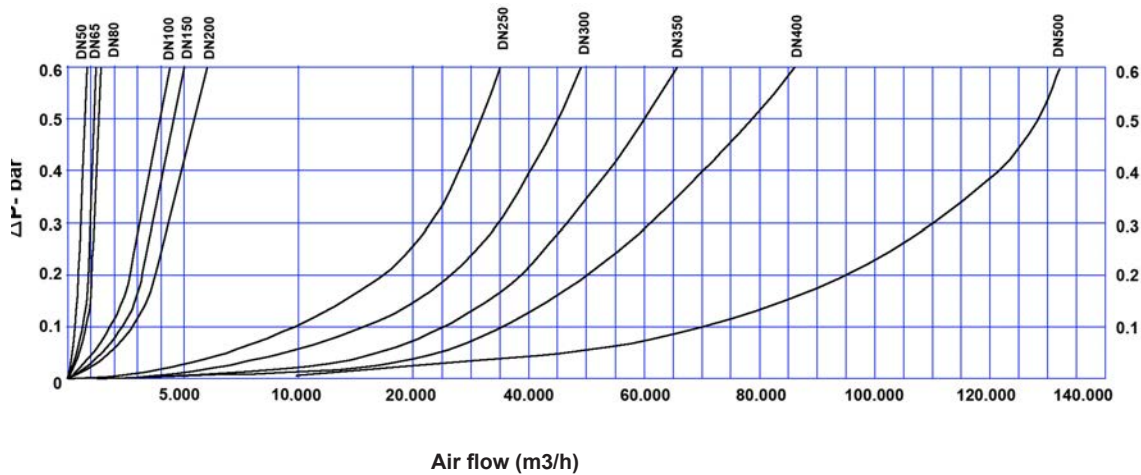
PVT4260

WORKING CONDITIONS

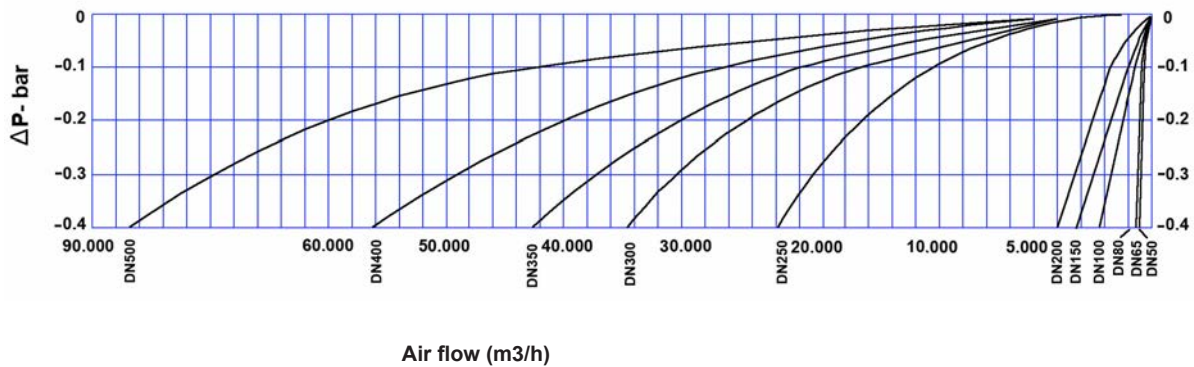
Maximum working pressure : 40 bar
Minimum working pressure : 0.2 bar
Maximum working temperature : -10°C / 80°C

AIR INFLOW AND OUTFLOW

Air outflow



Air inflow



The photographs and technical art works are not contractual. The specifications of the presented products are open to modifications without previous advice.

Tecofi France

83 rue Marcel Mérieux - 69960 Corbas
Tél. +33 (0)4 72 79 05 79 - Fax. +33 (0)4 78 90 19 19
E-mail : sales@tecofi.fr - www.tecofi.fr

