

AIR RELEASE VALVE SINGLE CHAMBER DOUBLE FUNCTION PN40

PVD 4260



APPLICATION

General use :

1. Disposal of large volumes of air during fill of the pipes of system.
2. Add great amount of air to the system during the purge of the pipes.

CARACTERISTIQUES GENERALES

Epoxy coating.

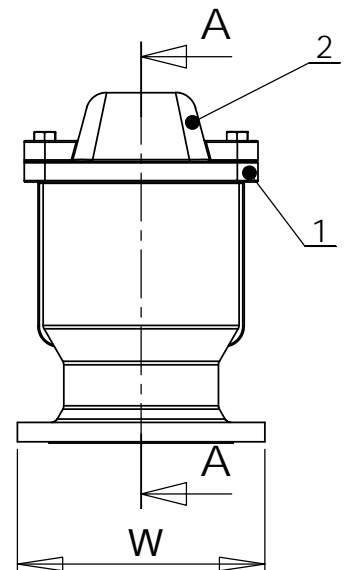
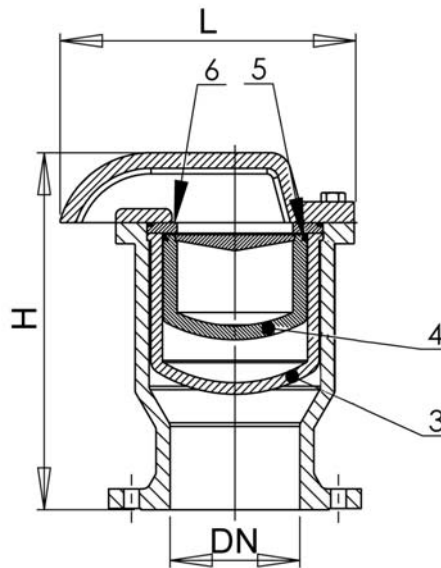
CONSTRUCTION

6	1	Disc	Brass
5	1	O-ring	NBR
4	1	Ball	Foamed polypropylene
3	1	Cage	Polyamide 6
2	1	Cover	Ductile iron GGG50
1	1	Body	Ductile iron GGG50
Pos.	Q-ty	Description	Material



DIMENSIONS

DN		H	L	W	Weight (kg)
mm	inch				
40	1 1/2	255	180	150	11
50	2"	260	180	165	11
65	2 1/2	260	180	185	12
80	3"	260	180	200	14,5
100	4"	320	265	235	24,2
125	5"	320	265	270	27
150	6"	320	265	300	31,5
200	8"	450	345	375	57
250	10"	810	440	450	185



WORKING CONDITIONS

Maximum temperature : -10°C / +80°C.

STANDARDS

Pressure test according to standard EN 12266-1.
Flange connection PN40 according to EN 1092-2.

