

# PRESSURE INDEPENDANT CONTROL VALVE

## TECHNICAL PASSPORT

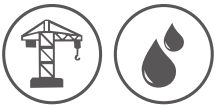
### PRESSURE INDEPENDANT CONTROL VALVE PN16

PICV1140

#### APPLICATION

The pressure independant valves are used to control functionality and dynamic balancing in a single unit of hydronic systems.

**Areas of use:** HVAC system, air conditioning, and refrigeration system.



**Fluids:** heat transfer fluids (water, glycol water...), refrigerant, etc.

#### GENERAL CHARACTERISTICS

**Range:** from DN15 to DN32.

Strong anti-jamming ability and high degree of control accuracy.

Flow setting without calculation in running system.

Forged brass body, small size easy to install.

Mounting direction is indicate by the arrow on the body.

Operating by control actuator voltage which use 10mm spanner to regulate the maximum opening. Power voltage: 230VAC 50/60 Hz.

Nominal output force 100N

Threaded connection in accordance with ISO 7/1.

Protection level: IP54.



#### CONSTRUCTION



| Description | Material        |
|-------------|-----------------|
| Body        | Forged brass    |
| Stem        | Stainless steel |
| Seal ring   | PTFE            |
| Membrane    | EPDM            |

The photographs and technical art works are not contractual. The specifications of the presented products are open to modifications without previous advice.

#### Tecofi France

83 rue Marcel Mérieux - 69960 Corbas  
Tél. +33 (0)4 72 79 05 79 - Fax. +33 (0)4 78 90 19 19  
E-mail : sales@tecofi.fr - [www.tecofi.fr](http://www.tecofi.fr)

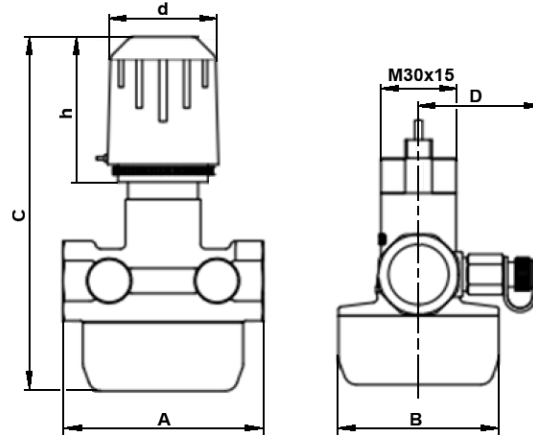


## PRESSURE INDEPENDANT CONTROL VALVE

### TECHNICAL PASSPORT

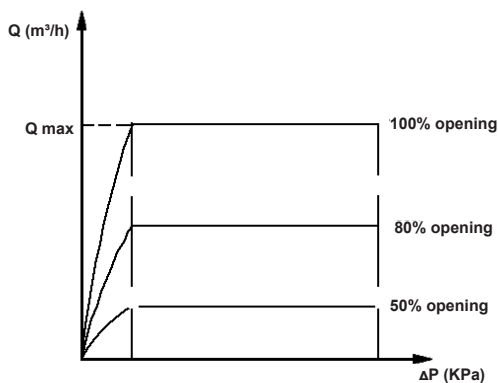
PICV1140

#### DIMENSIONS



| DN |        | A   | B  | C     | D  | d  | h  | Rated stroke (mm) | Max flow (m³/h) | ΔP (kPa) |
|----|--------|-----|----|-------|----|----|----|-------------------|-----------------|----------|
| mm | inch   |     |    |       |    |    |    |                   |                 |          |
| 15 | 1/2"   | 74  | 58 | 151.5 | 46 | 40 | 65 | 4                 | 0.9             | 35-500   |
| 20 | 3/4"   | 80  | 64 | 155.5 | 49 | 40 | 65 | 4                 | 1.3             | 35-500   |
| 25 | 1"     | 85  | 70 | 159   | 51 | 40 | 65 | 4                 | 2.0             | 35-500   |
| 32 | 1 1/4" | 100 | 81 | 165   | 56 | 40 | 65 | 4                 | 3.5             | 40-500   |

#### FLOW CHARACTERISTICS



#### Tecofi France

83 rue Marcel Mérieux - 69960 Corbas  
 Tél. +33 (0)4 72 79 05 79 - Fax. +33 (0)4 78 90 19 19  
 E-mail : sales@tecofi.fr - [www.tecofi.fr](http://www.tecofi.fr)

