

Ref. : MUT2500ELPN40

Rev. : A

Date : 19/10/2016

Page : 1/1

# PN40 FLANGED TYPE SENSORS WITH CONVERTER MC608 A

## MUT2500ELPN40



### APPLICATION

These sensors are typically used in the measure of potable or recycled water, industrial waste water, industrial process liquids, mud and concretes.

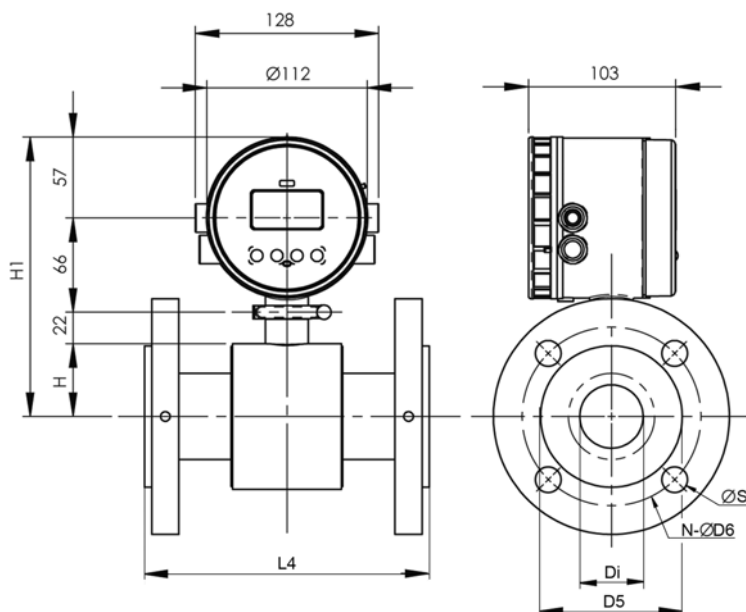
### GENERAL CHARACTERISTICS

Range from DN450 to DN2000.  
Coupled version with converter MC608 A with LED. 4 standard electrodes in hastelloy C guarantee a wide compatibility with different kind of liquids.  
By request they may be supplied in hastelloy B, Titanium, Tantalum or Platinum.  
Measurement range of more than 1:1000 without linearization software.  
Accurate measures on a wide flow rate range and a lower flow rates.  
Carbon steel flange and sensor with acrylic painted external surface.  
(Flange and sensor in stainless steel 304 or 316 on request)  
PTFE internal lining material on standard from DN15 to DN100 and over by request. Protection IP67. Voltage: 80-265 VAC, output 4-20mA + 485 MODBUS interface IRTCOM.



### DIMENSIONS

DN		ØD5	L4	J	Di	D6	N	ØS	H	H1
mm	inch									
450	18"	519	450	329.7	431	610	20	39	260	443
500	20"	570	500	355.2	480	670	20	42	285	468
600	24"	684	600	412.2	578	795	20	48	342	525
700	28"	783	700	461.7	677	900	24	48	392	575
800	32"	885	800	512.7	775	-	-	-	443	626
900	36"	996	900	568.2	870	-	-	-	498	681
1000	40"	1098	1000	619.2	970	-	-	-	549	732
1200	48"	1312	1200	726.2	1166	-	-	-	656	839
1400	56"	1512	1400	826.2	1362	-	-	-	756	939
1500	60"	1612	1500	876.2	1462	-	-	-	806	989
1600	64"	1712	1600	926.2	1554	-	-	-	856	1039
1800	72"	1922	1800	1031.2	1650	-	-	-	961	1144
2000	80"	2122	2000	1131.2	1942	-	-	-	1061	1244



### WORKING CONDITIONS

Working pressure : 40 bar.  
Maximum temperature : 0°C / + 70°C

### STANDARDS

Flange connection ISO PN 40 according to EN 1092-1, ISO 7005-1.