

PN16 FLANGED TYPE SENSORS WITH CONVERTER MC608 A

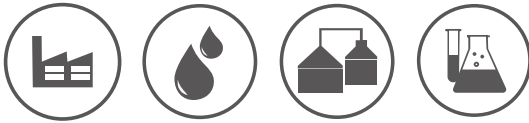
TECHNICAL PASSPORT

MUT2200EL PN16

PN16 FLANGED TYPE SENSORS WITH CONVERTER MC608 A

APPLICATION

Area of use: hydraulic installations, treatment plants, industrial processes, paper industry, etc.



Fluids: drinking water, recycled water, waste water, industrial sludge, mortar, etc.

GENERAL CHARACTERISTICS

Range: from DN15 to DN400.

- Coupled version with converter MC608 A with LED.
- Carbon steel flange and sensor with acrylic painted RAL 5010
- PTFE interne lining from DN15 to DN80
- Ebonite interne lining from DN100 to DN400.
- Tube in stainless steel AISI 304.
- With electrodes in Hastelloy C 276 :
 - 2 electrodes (DN15-DN20);
 - 3 electrodes (DN25-DN40);
 - 4 electrodes (DN50-400)
- Possible: electrodes in Titanium, Tantalum or Platinum
- Supply: 90-265 VAC, output 4-20mA + 485 MODBUS. Interface IRCOM.
- Protection degree IP68 at 1.5 mCE (4 mCE by request).

WORKING CONDITIONS

Working pressure : 16 bar.

Maximum temperature : -40°C / +80°C (Ebonite)
-40°C / +130°C (PTFE)

STANDARDS

Connection	Flange connection PN16 according to EN1092-1.
------------	---



The photographs and technical art works are not contractual. The specifications of the presented products are open to modifications without previous advice

Tecofi France

83 rue Marcel Mérieux - 69960 Corbas
Tél. +33 (0)4 72 79 05 79 - Fax. +33 (0)4 78 90 19 19
E-mail : sales@tecofi.fr - www.tecofi.fr

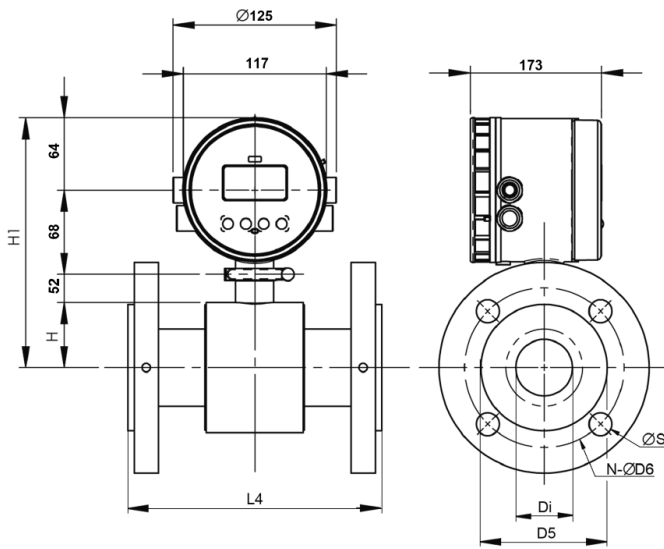


PN16 FLANGED TYPE SENSORS WITH CONVERTER MC608 A

TECHNICAL PASSPORT

MUT2200EL PN16

DIMENSIONS



DN		ØD5	L4	J	DI	D6	N	ØS	H	H1
mm	inch									
15	1/2"	84	200	112.2	11.3	65	4	14	-	-
20	3/4"	84	200	112.2	16.9	75	4	14	-	-
25	1"	74	200	107.2	23.7	85	4	14	37	220
32	1 1/4"	83	200	111.7	31.8	100	4	18	42	225
40	1 1/2"	88	200	114.2	37.3	110	4	18	44	227
50	2"	102	200	121.2	47.3	125	4	18	51	234
65	2 1/2"	114	200	127.2	63.1	145	4	18	57	240
80	3"	127	200	133.7	74.3	160	4	18	64	247
100	4"	161	250	150.7	97	180	8	18	81	264
125	5"	187	250	163.7	122	210	8	18	94	277
150	6"	210	300	175.2	148	240	8	22	105	288
200	8"	261	350	200.7	195	295	12	22	131	314
250	10"	319	450	229.7	245	350	12	25	160	343
300	12"	371	500	255.7	308	400	12	25	186	369
350	14"	404	550	272.2	339.6	470	16	25	202	385
400	16"	455	600	297.7	390.4	525	16	30	228	411

FLOW RATE

DN		Flow (m3/h)				
mm	inch	Qi (minimum)	Q2 (Transitional)	Q3 (Permanent)	Q4 (overload)	Ratio Q3/Q1
15	1.2"	-	-	-	-	-
20	3/4"	-	-	-	-	-
25	1"	0.08	0.128	10	12.5	125
32	1 1/4"	0.08	0.128	10	12.5	125
40	1 1/2"	0.128	0.205	16	20	125
50	2"	0.2	0.32	25	31.25	125
65	2 1/2"	0.32	0.512	40	50	125
80	3"	0.504	0.806	63	78.75	125
100	4"	0.8	1.28	100	125	125
125	5"	1.28	2.048	160	200	125
150	6"	2	3.2	250	312.5	125
200	8"	3.2	5.12	400	500	125
250	10"	5.04	8.064	630	787.5	125
300	12"	8	12.8	1000	1250	125
350	14"	12.8	20.48	1600	2000	125
400	16"	12.8	20.48	2000	2000	125

Tecofi France

83 rue Marcel Mérieux - 69960 Corbas

Tél. +33 (0)4 72 79 05 79 - Fax. +33 (0)4 78 90 19 19

E-mail : sales@tecofi.fr - www.tecofi.fr

