

PRESSURE GAUGE WITH DIAPHRAGM SEAL

TECHNICAL PASSPORT

MS6100G100

APPLICATION

- For aggressive, contaminated or hot media
- Process industry
- Water treatment

SPECIAL FEATURES

- Process connection with thread to provide for direct threaded connection
- Version with internal diaphragm
- Diaphragm seal parts all welded
- Universal application

DESCRIPTION

Diaphragm seal systems are used to protect the pressure measuring instrument from aggressive, adhesive, crystallising, corrosive, highly viscous, environmentally hazardous or toxic media. The diaphragm made of stainless steel provides for the separation from the medium. The pressure is transmitted to the measuring instrument via the system fill fluid which is inside the Diaphragm seal system.

Due to its design, the DSS34M can be used universally and offers the advantage that the end user can read the pressure directly.

SPECIFICATIONS

Model DSS34M	
Version	Pressure gauge with Bourdon tube per EN 837-1, screwed to diaphragm seal
Nominal size (NS)	100
Accuracy class	1.0
Scale range	0 ... 1 to 0 ... 60 bar [0 ... 15 to 0 ... 800 psi] or all other equivalent vacuum or combined pressure and vacuum ranges
Pressure limitation	Steady: Full scale value Fluctuating: 0.9 x full scale value Short time: 1.3 x full scale value
Permissible temperature range	Medium: -10 ... 150 °C [14 ... 302 °F] Ambient: 10 ... 40 °C [50 ... 104 °F] Storage: 10 ... 60 °C [50 ... 140 °F]
Ingress protection	IP65 per IEC/EN 60529
Material	wetted: Diaphragm: Stainless steel 1.4435 [316L] or Hastelloy C276 Diaphragm seal: Stainless steel 1.4435 [316L] or Hastelloy C276 non-wetted: Dial, pointer: Aluminium Case: Stainless steel 1.4301 [304] Diaphragm seal, pressure element: Stainless steel Window: Laminated safety glass
Level of cleanliness of wetted parts	Oil and grease free per ASTM G93-03 level F WIKA standard (< 1,000 mg/m ²)
System fill fluid	Silicone oil KN 2 for general applications



Diaphragm seal system, model DSS34M

Mounting of the diaphragm seal to the measuring instrument is made via direct mounting as standard.

The DSS34M is particularly well suited for aggressive, contaminated or hot media. This instrument is mainly geared to applications in the chemical and petrochemical industries.

Tecofi France

83 rue Marcel Mérieux - 69960 Corbas
Tél. +33 (0)4 72 79 05 79 - Fax. +33 (0)4 78 90 19 19
E-mail : sales@tecofi.fr - www.tecofi.fr



Page1/2

PRESSURE GAUGE WITH DIAPHRAGM SEAL

TECHNICAL PASSPORT

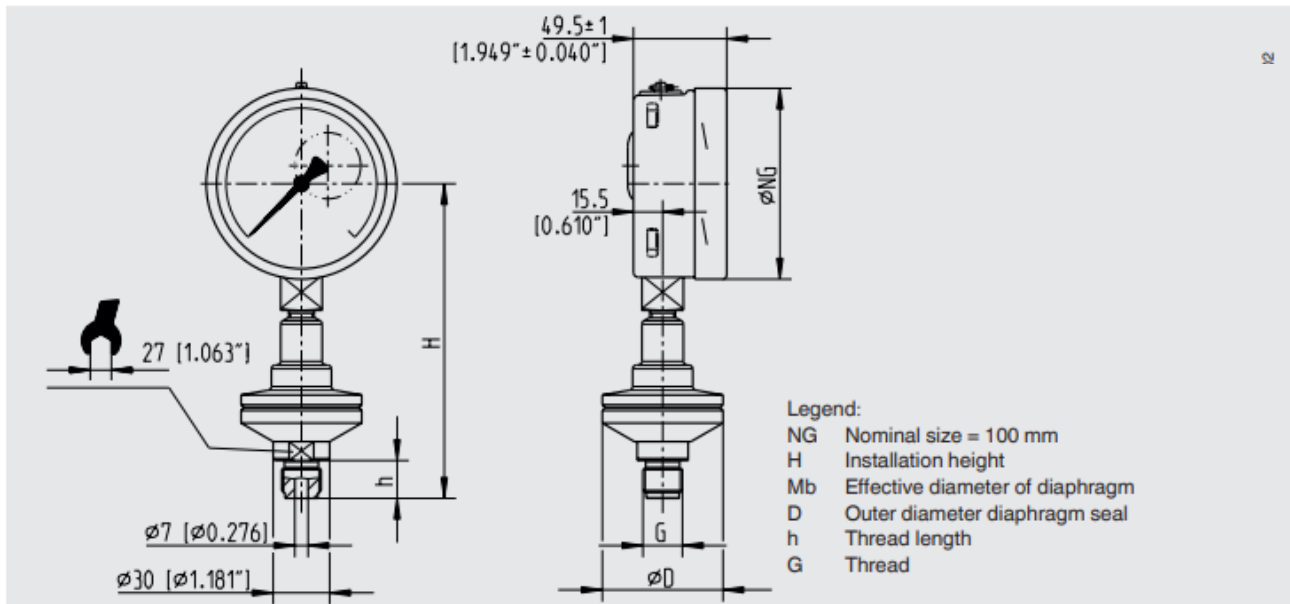
MS6100G100

SCALE RANGES IN BAR (PSI)

Gauge pressure			
0 ... 1 [0 ... 15]	0 ... 1.6 [0 ... 25]	0 ... 2.5 [0 ... 40]	0 ... 4 [0 ... 60]
0 ... 6 [0 ... 100]	0 ... 10 [0 ... 160]	0 ... 16 [0 ... 250]	0 ... 25 [0 ... 300]
0 ... 40 [0 ... 600]	0 ... 60 [0 ... 1,000]		

Vacuum and +/- scale range		
-1 ... +5 [-30 inHg ... +70]	-1 ... +9 [-30 inHg ... +130]	-1 ... +10 [-30 inHg ... +145]

DIMENSIONS



TYPE OF CONNECTION

Wetted parts	G	Dimensions in mm [in]			
		NG	H	D	Mb
Stainless steel 1.4404/1.4435 (316L)	G ½	100 [3.937]	166.5 [6.555]	64 [2.52]	52 [2.047]
	½ NPT		165.5 [6.516]		
Hastelloy C276	G ½	100 [3.937]	200.5 [7.9]	64 [2.52]	52 [2.047]
	½ NPT		199.5 [7.85]		

Tecofi France

83 rue Marcel Mérieux - 69960 Corbas
Tél. +33 (0)4 72 79 05 79 - Fax. +33 (0)4 78 90 19 19
E-mail : sales@tecofi.fr - www.tecofi.fr

