

Ref. : JT5240.pas

Rev. : Initial

Date : 19/02/2015

Page : 1/1

DISMANTLING JOINTS PN16

JT5240



Tecofi
VALVE DESIGNER - FRANCE

APPLICATION

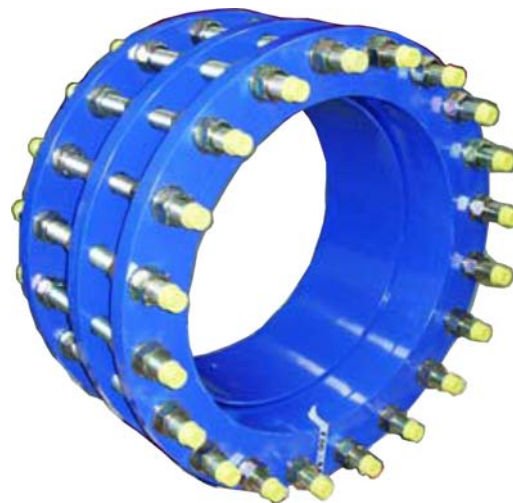
General use : for easy installation and dismantling of valves.

GENERAL CHARACTERISTICS

Range : from DN 200 up to DN 1200.
Rigid connection between the connecting pipes.
Long course.
PN16.

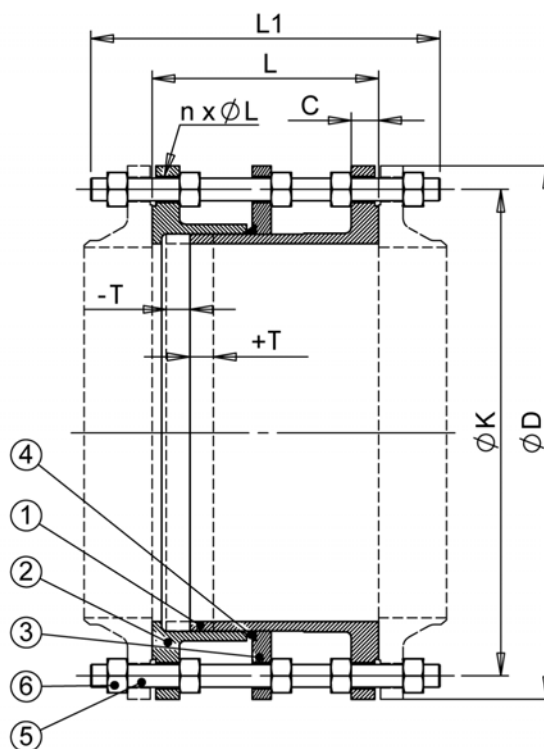
CONSTRUCTION

6		Nut	Steel 6.8	
5		Stud bolt	Steel 6.8	
4	1	Sealing ring	EPDM	
3	1	Retaining flange	Carbon steel	S-235 JR
2	1	Flanged pipe - long	Carbon steel	S-235 JR
1	1	Flanged pipe - short	Carbon steel	S-235 JR
Pos.	Qty.	Description	Material	



DIMENSIONS

DN		L	L1	Ø D	Ø K	T	C	n x ØL	Weight (kg)
mm	inch								
200	8"	280	430	340	295	40	24	12 x 20	60
250	10"	280	450	405	355	40	26	12 x 24	84
300	12"	280	450	460	410	40	28	12 x 24	99
350	14"	280	450	520	470	40	30	16 x 24	143
400	16"	280	450	580	525	40	32	16 x 27	170
450	18"	330	550	640	585	50	38	20 x 27	228
500	20"	330	530	715	650	50	38	20 x 30	276
600	24"	330	550	840	770	50	42	20 x 33	395
700	28"	330	550	910	840	50	44	24 x 33	428
800	32"	400	670	1025	950	60	50	24 x 36	565
900	36"	400	670	1125	1050	60	54	28 x 36	663
1000	40"	400	660	1255	1170	60	55	28 x 39	887
1200	48"	450	750	1485	1390	70	58	32 x 45	1447



TECOFI France - 83, Rue Marcel Mérieux 69960 Corbas - FRANCE
Tél. +33 (0) 4 72 79 05 79 - Fax +33 (0) 4 78 90 19 19 / +33 (0) 4 72 79 05 70
Adresses e-mail : sales@tecofi.fr ; tecofi@tecofi.fr / Site web : www.tecofi.fr